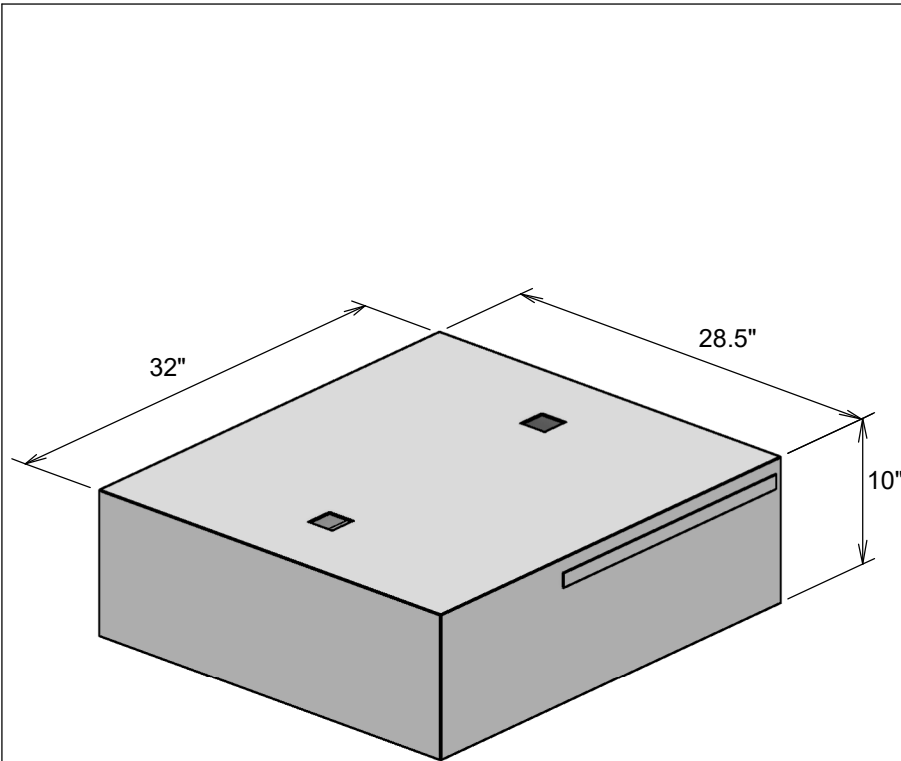




507 County Road E West
Shoreview, MN 55126
(651) 621-8808

1" SHORT RETURN AIR BASE

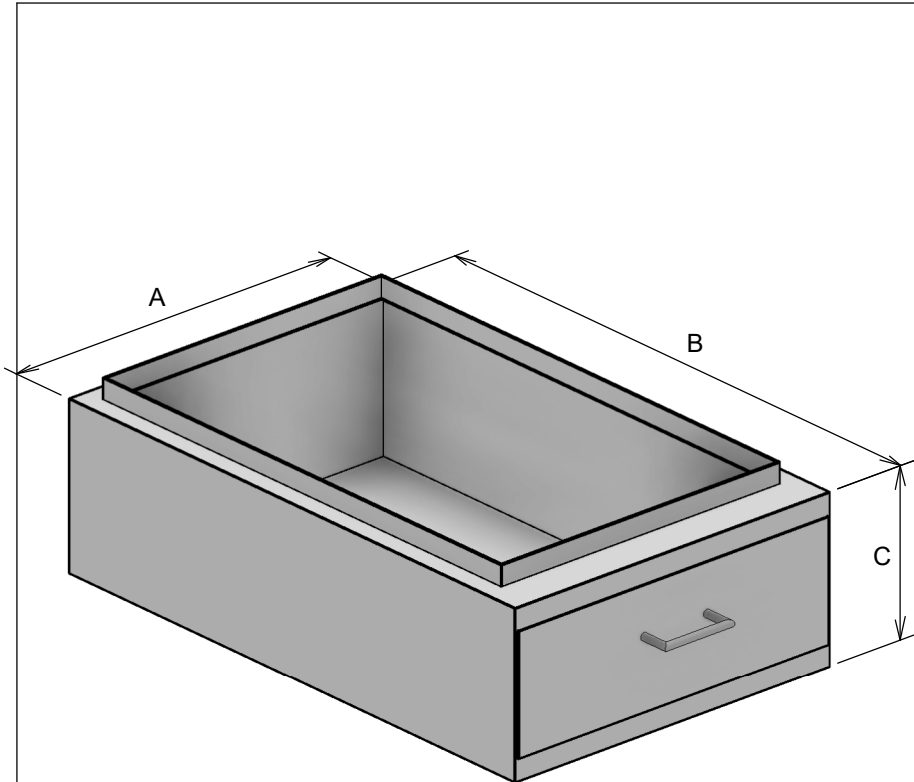


- For residential and commercial applications
- Constructed with heavy gauge galvanized steel
- Strong, unique design supports up to 300 lbs.
- Fits 20x25x1" filter with friction fit cover
- Reversible access panel for left or right installation
- 2" square starter holes for custom installation of furnace and return air duct
- Raises furnace for easier service
- Bottom return improves furnace performance and reduces noise issues



507 County Road E West
Shoreview, MN 55126
(651) 621-8808

4-N-1 BASE



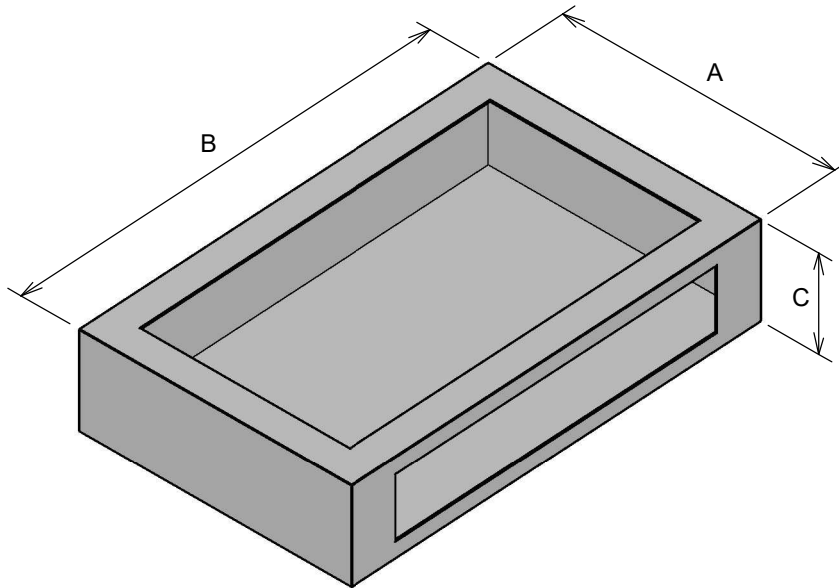
	Dimension A (Width)	Dimension B (Depth)	Dimension C (Height)
14.5 x 28.5 x 8	14.5"	28.5"	8"
17.5 x 28.5 x 8	17.5"	28.5"	8"
21 x 28.5 x 8	21"	28.5"	8"

- For residential and commercial applications
- Constructed with heavy gauge galvanized steel
- Raises furnace for easier service
- Great for retrofit and new construction installation
- Fits 1-4" filter
- Open top and bottom with 1" flange around bottom



507 County Road E West
Shoreview, MN 55126
(651) 621-8808

LOW PROFILE BASE



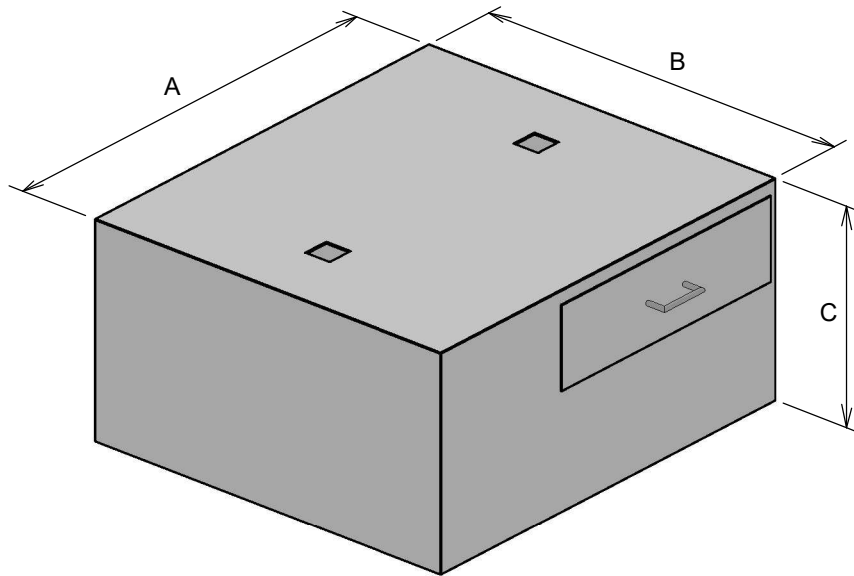
	Dimension A (Width)	Dimension B (Depth)	Dimension C (Height)
RAB Low Profile 14	14"	28.5"	6"
RAB Low Profile 17.5	17.5"	28.5"	6"
RAB Low Profile 21	21"	28.5"	6"
RAB Low Profile 24.5	24.5"	28.5"	6"

- For residential and commercial applications
- Constructed with heavy gauge galvanized steel
- Reversible for left or right installation
- Raises furnace for easier service
- Maximizes airflow by utilizing both bottom and side return to prevent equipment failure (including hi-limit, cracked heat exchanger and premature motor failure) due to restricted air flow
- Great for retrofit and new construction installation
- Can improve airflow throughout duct system
- Improves furnace performance and reduces noise issues



507 County Road E West
Shoreview, MN 55126
(651) 621-8808

RETURN AIR BASE



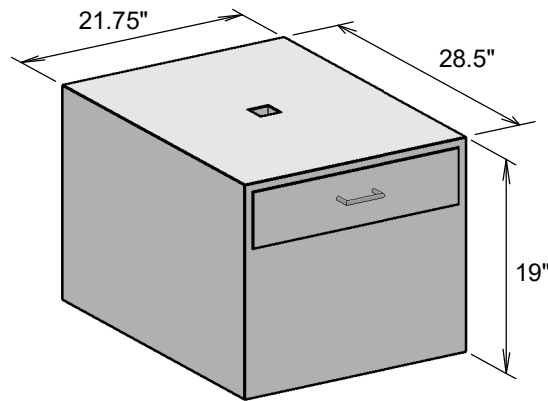
	Dimension A (Width)	Dimension B (Depth)	Dimension C (Height)	Filter Size	Capacity
RAB Large	39"	28.5"	19"	20x25	4-5 Ton
RAB Small	32"	28.5"	15.5"	20x25	3 Ton
RAB Mini	26"	28.5"	13.5"	16x25	1.5 Ton

- For residential and commercial applications
- Constructed with heavy gauge galvanized steel
- Strong, unique design supports up to 300 lbs.
- Pull out drawer accepts 1", 2", 4" or 5" media filters
- Reversible access panel for left or right installation
- 2" square starter holes for custom installation of furnace and return air duct
- Raises furnace for easier service
- Bottom return improves furnace performance and reduces noise issues



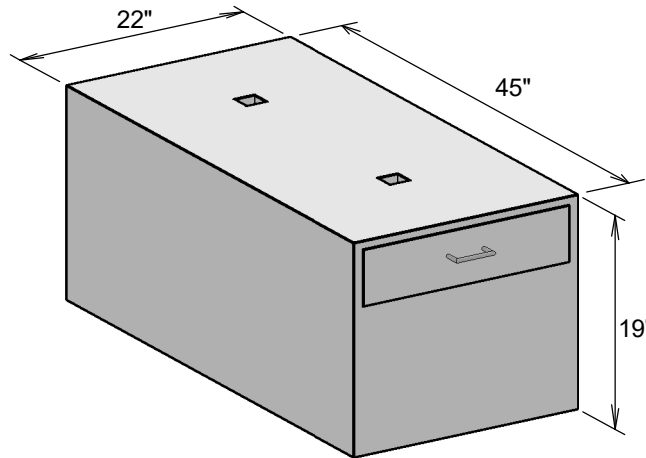
507 County Road E West
Shoreview, MN 55126
(651) 621-8808

SPECIALTY RETURN AIR BASES



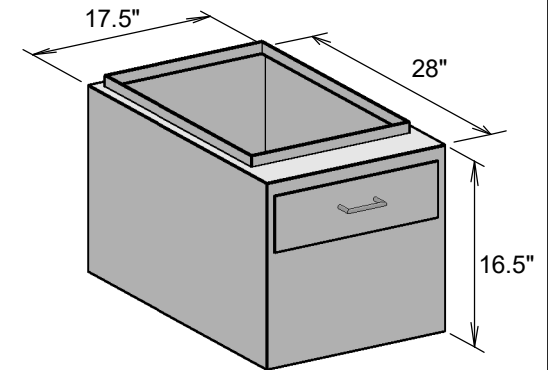
Universal

- 20x25x5" Filter
- Slide out drawer



Front Access

- 20x25x5" Filter
- Slide out drawer



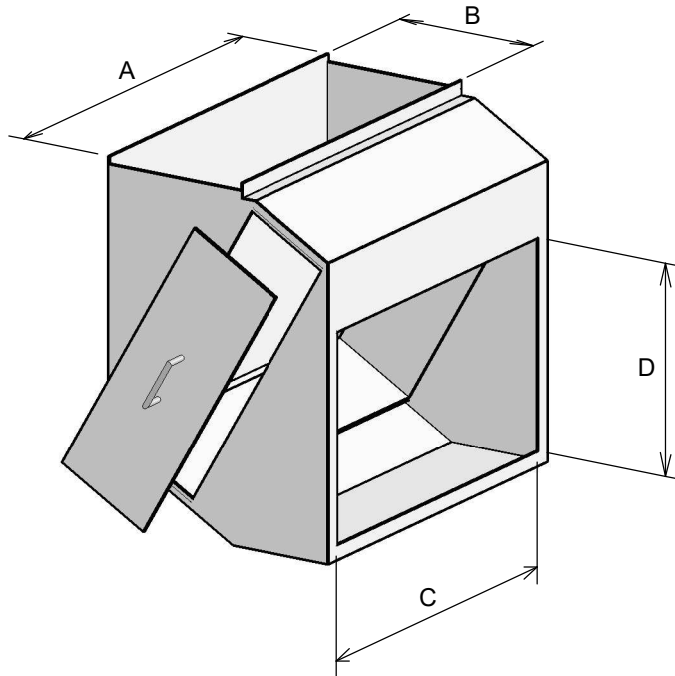
Townhouse

- 16x25x5" Filter
- Friction fit cover
- 1" Flange (23"x15.5")



507 County Road E West
Shoreview, MN 55126
(651) 621-8808

ALTERAIRE BOOT WITH COVER



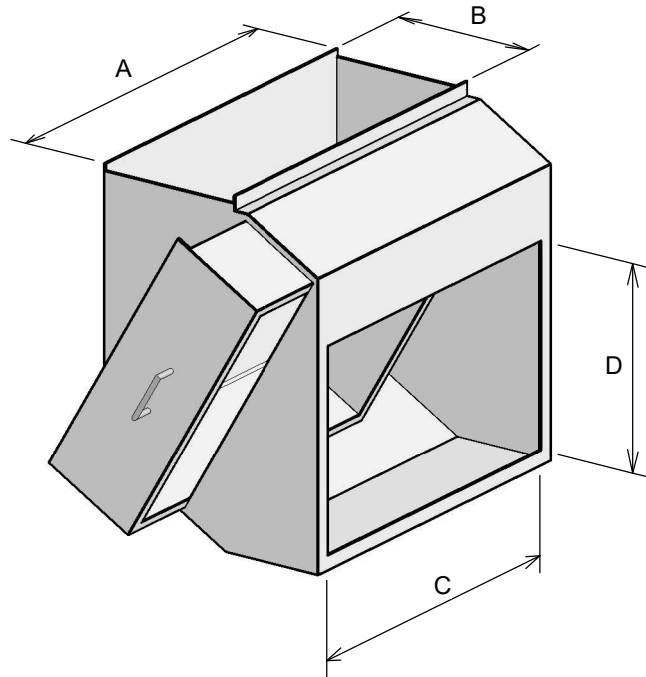
	Duct Connection		Furnace Connection		Filter Size
	Dim A	Dim B	Dim C	Dim D	
AlterAire 20x10	20"	10"	18"	14"	20x20
AlterAire 25x10	25"	10"	23"	14"	20x25

- Constructed with heavy gauge galvanized steel
- Reversing access panel for left or right installation
- Removable friction fit cover with magnet
- Accepts 1", 2", 4" or 5" filters including Honeywell and Air Bear
- Angled filter orientation for maximized air flow
- Great for retrofit and new construction installation



507 County Road E West
Shoreview, MN 55126
(651) 621-8808

ALTERAIRE BOOT WITH DRAWER



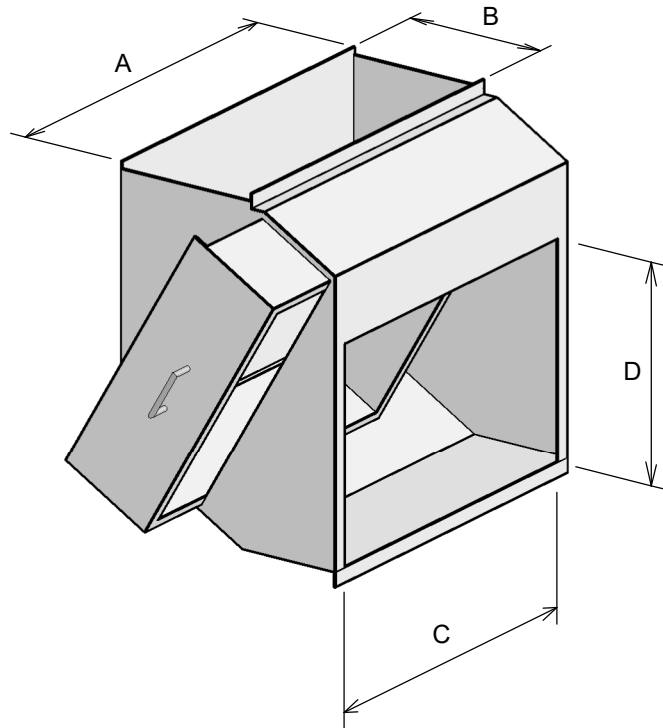
	Duct Connection		Furnace Connection		Filter Size
	Dim A	Dim B	Dim C	Dim D	
AlterAire 20x10	20"	10"	18"	14"	20x20
AlterAire 25x10	25"	10"	23"	14"	20x25

- Constructed with heavy gauge galvanized steel
- Reversing access panel for left or right installation
- Pull out drawer accepts 1", 2", 4" or 5" filters including Honeywell and Air Bear
- Angled filter orientation for maximized air flow
- Great for retrofit and new construction installation



507 County Road E West
 Shoreview, MN 55126
 (651) 621-8808

MODIFIED ALTERAIRE BOOT WITH DRAWER



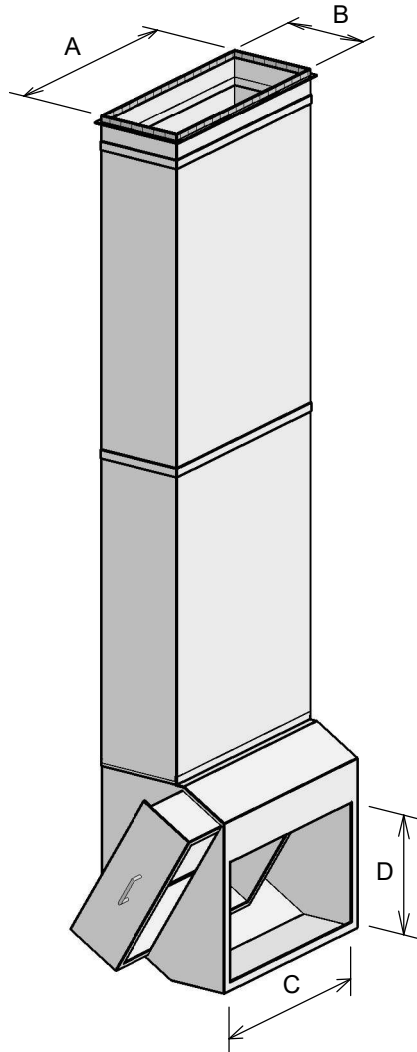
	Duct Connection		Furnace Connection		Filter Size
	Dim A	Dim B	Dim C	Dim D	
Modified AlterAire 25x10	25"	10"	23"	17.75"	20x25
Modified AlterAire 25x12	25"	12"	23"	17.75"	20x25
Modified AlterAire 25x14	25"	14"	23"	17.75"	20x25

- For use with Low-Profile Base
- Constructed with heavy gauge galvanized steel
- Reversing access panel for left or right installation
- Pull out drawer accepts 1", 2", 4" or 5" filters including Honeywell and Air Bear
- Angled filter orientation for maximized air flow
- Great for retrofit and new construction installation



507 County Road E West
Shoreview, MN 55126
(651) 621-8808

ALTERAIRE BOOT WITH DRAWER DROP KIT



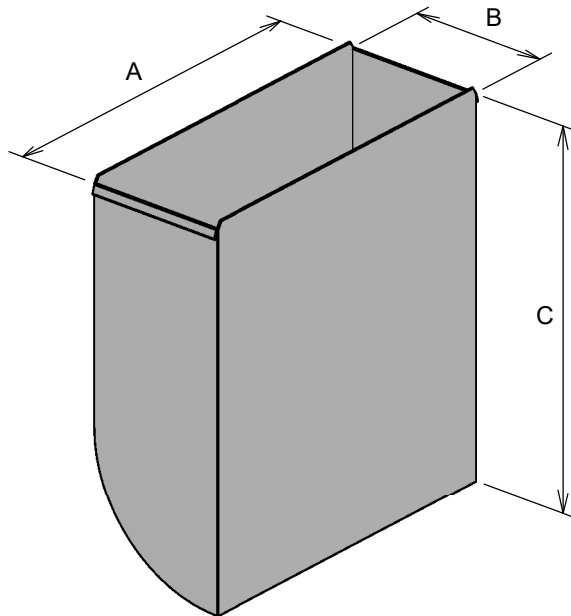
	Duct Connection		Furnace Connection		Filter Size
	Dim A	Dim B	Dim C	Dim D	
AlterAire 20x10	20"	10"	18"	14"	20x20
AlterAire 25x10	25"	10"	23"	14"	20x25
AlterAire 25x12	25"	12"	23"	14"	20x25

- Constructed with heavy gauge galvanized steel
- Reversing access panel for left or right installation
- Pull out drawer accepts 1", 2", 4" or 5" filters including Honeywell and Air Bear
- Angled filter orientation for maximized air flow
- Great for retrofit and new construction installation
- Kit includes AlterAire boot, 2 sections of 36" duct, start collar and slips/drives



507 County Road E West
Shoreview, MN 55126
(651) 621-8808

TORPEDO BOOT



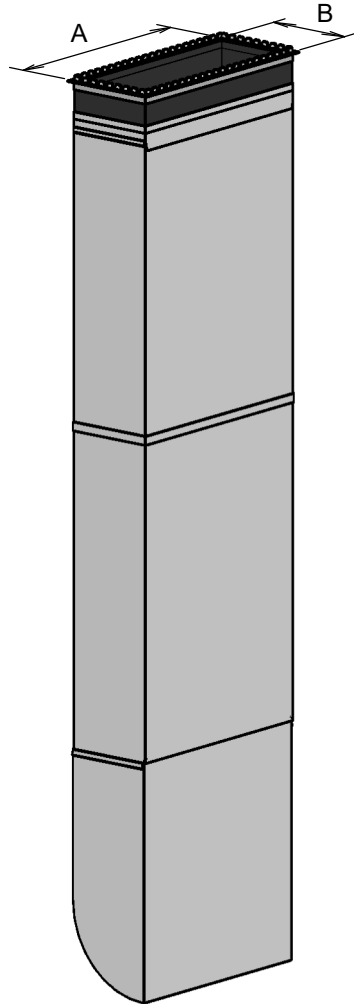
	Dimension A	Dimension B	Dimension C
20x10	20"	10"	27"
25x10	25"	10"	27"
25x12	25"	12"	27"

- Great for retrofit or new construction
- Easily mounts to filter rack or electronic air cleaner



507 County Road E West
Shoreview, MN 55126
(651) 621-8808

TORPEDO BOOT KIT



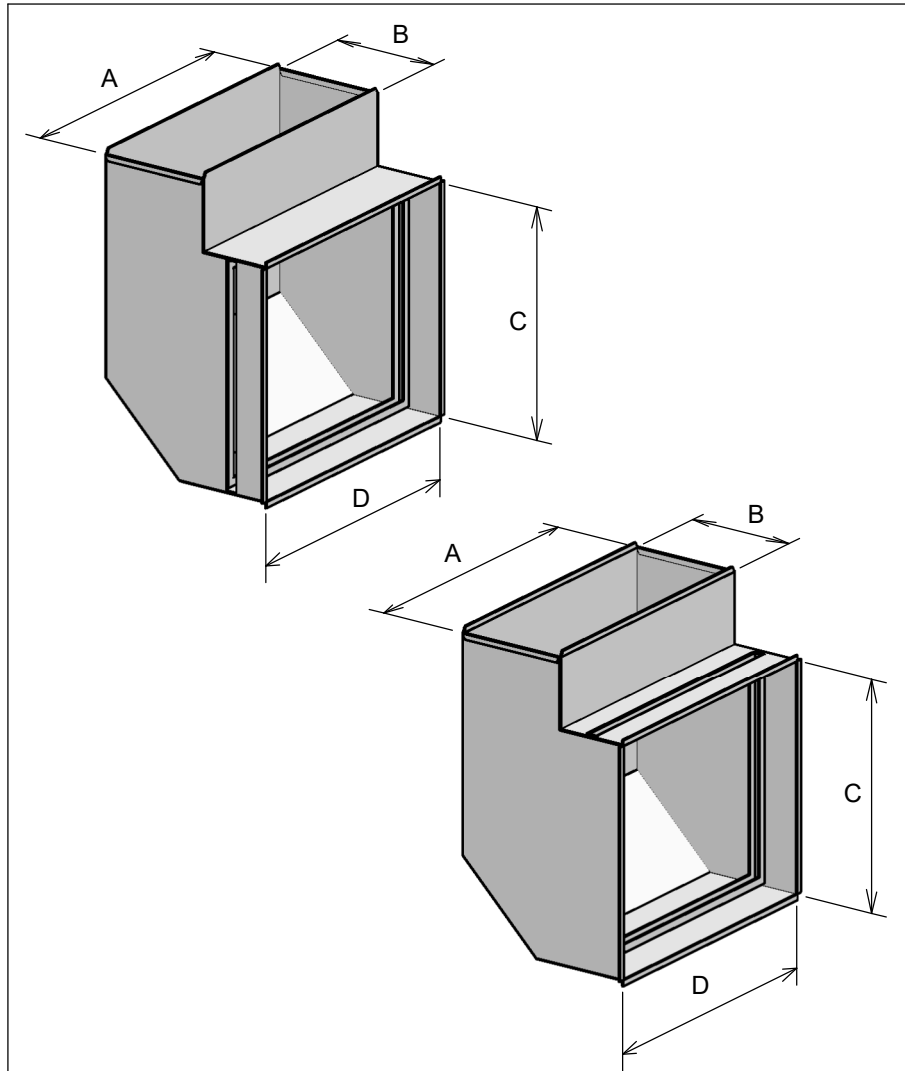
	Dimension A	Dimension B
20x10	20"	10"
25x10	25"	10"

- Constructed with heavy gauge galvanized steel
- Great for retrofit or new construction installation
- Kit includes torpedo boot, 2 sections of 36" duct, start collar or 3-way canvas connector and slips/drives



507 County Road E West
Shoreview, MN 55126
(651) 621-8808

FILTER BOOT SIDE AND TOP LOAD



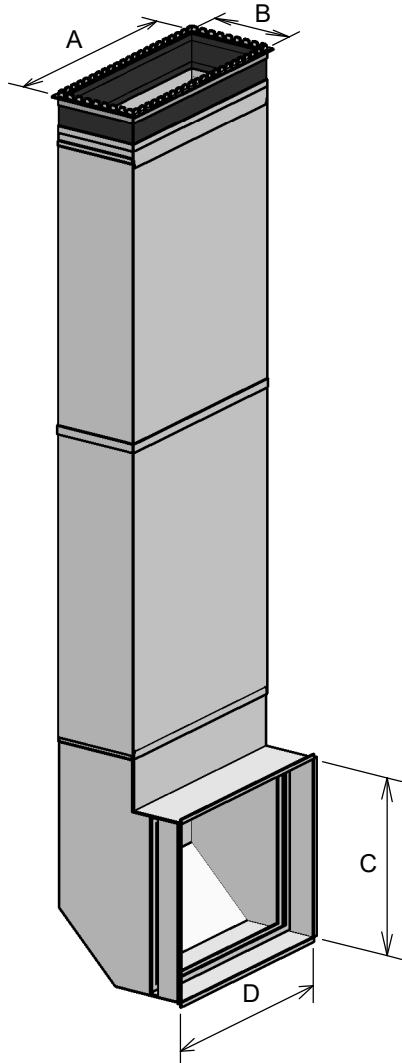
Boot Size	Duct Connection		Furnace Connection		Filter Size
	Dim A	Dim B	Dim C	Dim D	
20x10	20"	10"	16"	20"	16x20x1
25x10	25"	10"	16"	25"	16x25x1
25x10	25"	10"	20"	25"	20x25x1
25x12	25"	12"	16"	25"	16x25x1
25x12	25"	12"	20"	25"	20x25x1

- Constructed with heavy gauge galvanized steel
- Magnet included to seal filter slot to reduce air leakage
- Great for retrofit and new construction installation
- Available in top or side load configurations
- Available with plenum edge or standard furnace connection



507 County Road E West
 Shoreview, MN 55126
 (651) 621-8808

COLD AIR DROP SIDE LOAD KIT



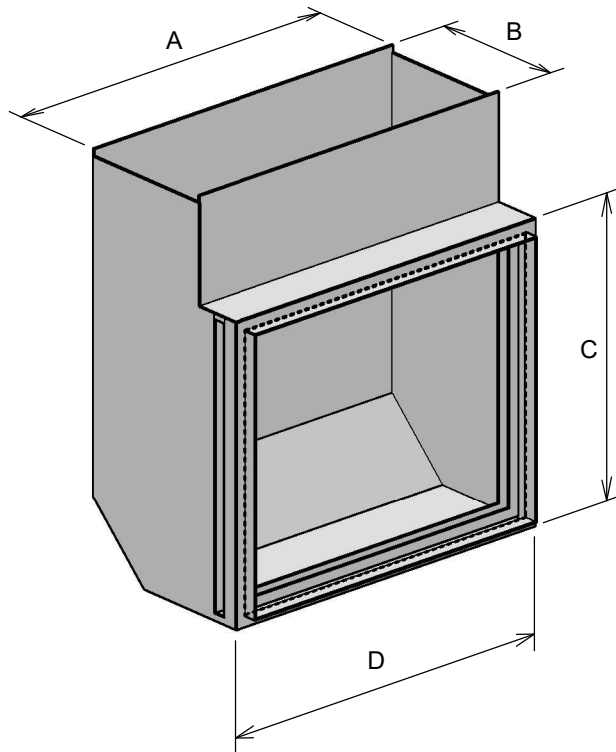
Kit Size	Duct Connection		Furnace Connection		Filter Size
	Dim A	Dim B	Dim C	Dim D	
20x10	20"	10"	16"	20"	16x20x1
25x10	25"	10"	16"	25"	16x25x1
25x12	25"	12"	16"	25"	16x25x1
25x12	25"	12"	20"	25"	20x25x1

- Constructed with heavy gauge galvanized steel
- Magnet included to seal filter slot to reduce air leakage
- Great for retrofit and new construction installation
- Kit includes return air boot, 2 sections of 36" duct, 3-way canvas connector or start collar, magnet and slips/drives
- Choice of 3-way canvas connector or start collar



507 County Road E West
Shoreview, MN 55126
(651) 621-8808

COMPACT RETURN AIR BOOT



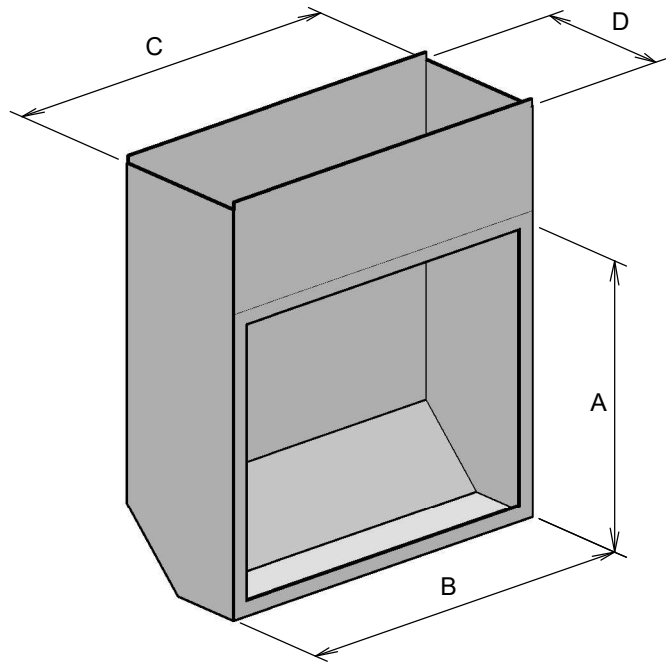
	Duct Connection		Furnace Connection		Filter Size
	Dim A	Dim B	Dim C	Dim D	
20x10	20"	10"	16"	20"	16x20x1
25x10	25"	10"	16"	25"	16x25x1

- Constructed with heavy gauge galvanized steel
- Great for retrofit and new construction installation
- 1" throat for installation in tight spaces
- Perforated flange goes inside furnace and folds over to secure boot to furnace
- Magnetic filter cover
- Filter access can be interchanged for left or right hand installation



507 County Road E West
Shoreview, MN 55126
(651) 621-8808

UNIVERSAL FILTER RACK BOOT



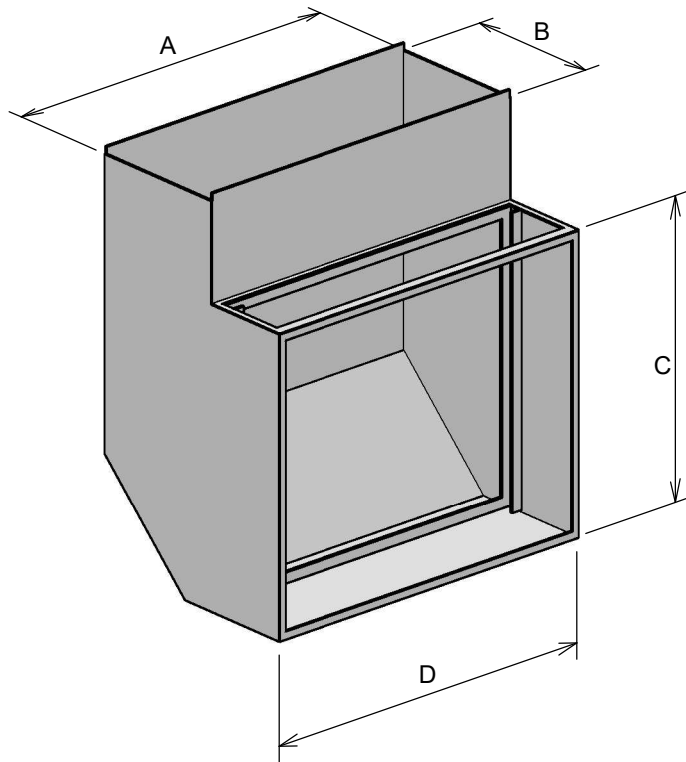
Universal Filter Rack Size	Universal Filter Boot		Universal Filter Boot Duct Connection	Universal Filter Boot	
	Dim A	Dim B		Dim C	Dim D
16x20	16"	20"	20x10	20"	10"
16x25	16"	25"	25x10	25"	10"
20x25	20"	25"	25x10	25"	10"
20x25	20"	25"	25x12	25"	12"

- Used in conjunction with Universal Filter Rack
- Constructed with heavy gauge galvanized steel
- Great for retrofit or new construction installation



507 County Road E West
Shoreview, MN 55126
(651) 621-8808

MEDIA FILTER BOOT



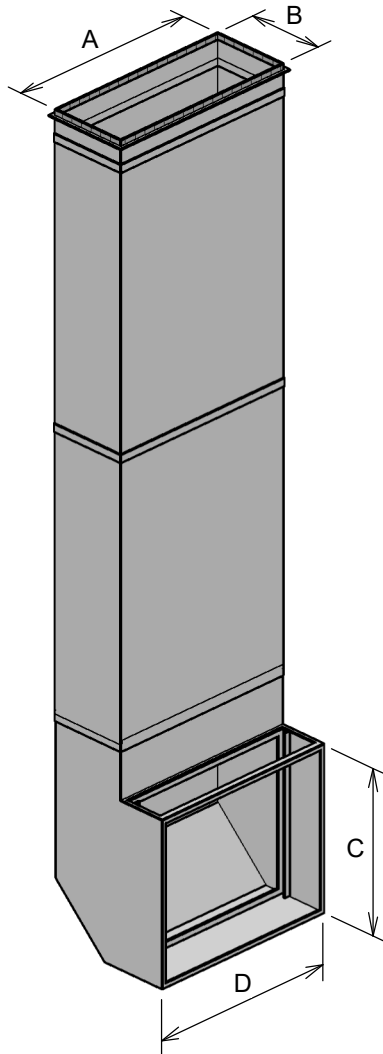
	Duct Connection		Furnace Connection		Filter Size
	Dim A	Dim B	Dim C	Dim D	
20x10	20"	10"	16"	20"	16x20
25x10	25"	10"	16"	25"	16x25
25x10	25"	10"	20"	25"	20x25
25x12	25"	12"	20"	25"	20x25

- Constructed with heavy gauge galvanized steel
- Great for retrofit or new construction installation
- Accepts 1"-5" filters including Honeywell and Air Bear
- Includes removable cover for filter access



507 County Road E West
Shoreview, MN 55126
(651) 621-8808

MEDIA FILTER BOOT KIT



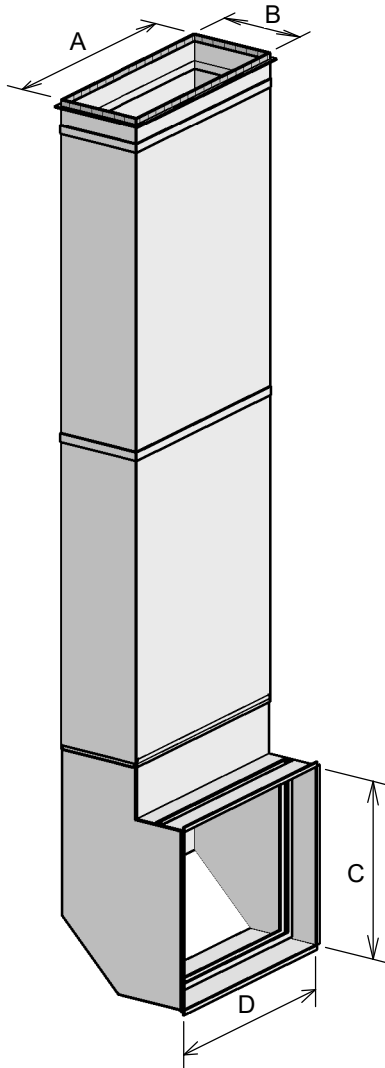
	Duct Connection		Furnace Connection		Filter Size
	Dim A	Dim B	Dim C	Dim D	
20x10	20"	10"	14"	18"	16x20
25x10	25"	10"	14"	23"	16x25
25x10	25"	10"	18"	23"	20x25
25x12	25"	12"	18"	23"	20x25

- Constructed with heavy gauge galvanized steel
- Great for retrofit or new construction installation
- Accepts 1"-5" filters including Honeywell and Air Bear
- Includes removable cover for filter access
- Kit includes media filter boot, 2 sections of 36" duct, start collar or 3-way canvas connector, magnet and slips/drives



507 County Road E West
Shoreview, MN 55126
(651) 621-8808

COLD AIR DROP TOP LOAD KIT



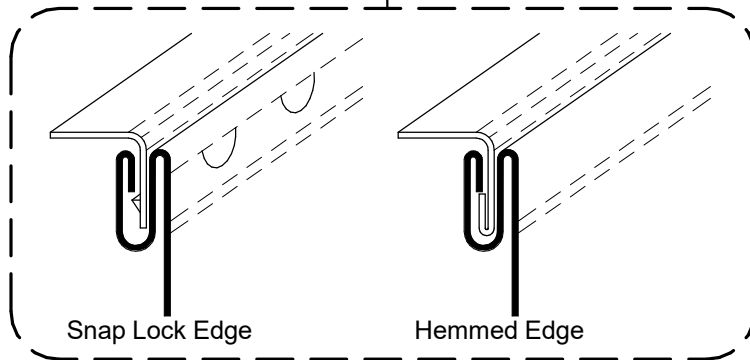
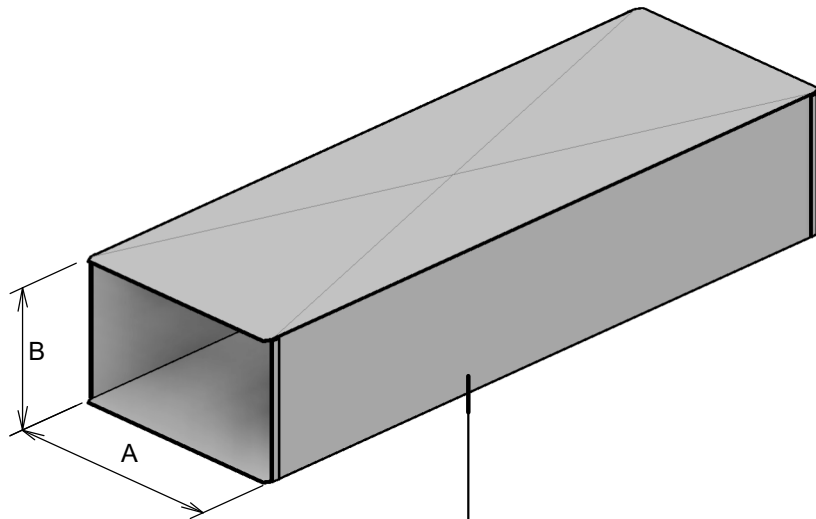
Kit Size	Duct Connection		Furnace Connection		Filter Size
	Dim A	Dim B	Dim C	Dim D	
20x10	20"	10"	16"	20"	16x20x1
25x10	25"	10"	16"	25"	16x25x1
25x12	25"	12"	16"	25"	16x25x1
25x12	25"	12"	20"	25"	20x25x1

- Constructed with heavy gauge galvanized steel
- Magnet included to seal filter slot to reduce air leakage
- Great for retrofit and new construction installation
- Kit includes return air boot, 2 sections of 36" duct, start collar or 3-way canvas connector, magnet and slips/drives
- Choice of 3-way canvas connector or start collar



507 County Road E West
 Shoreview, MN 55126
 (651) 621-8808

RESIDENTIAL DUCT



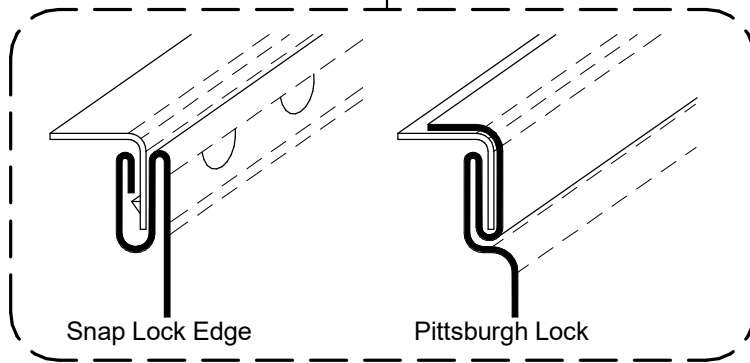
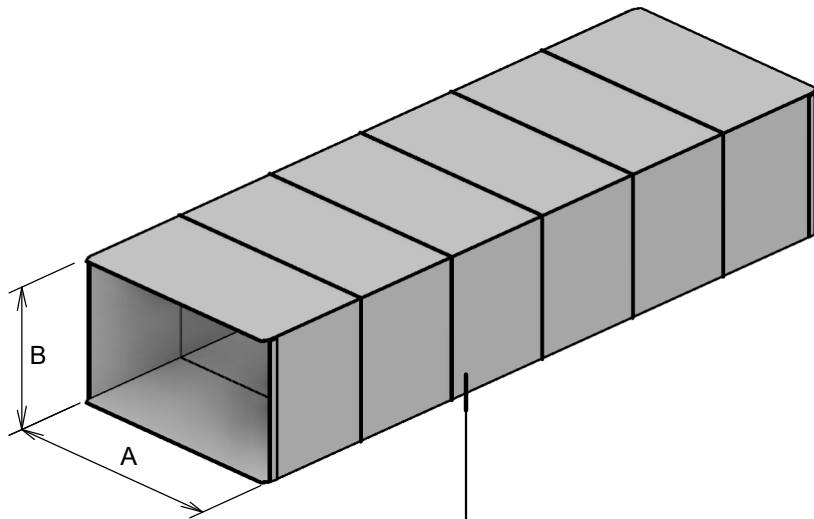
		Width (DIM A)									
		8"	10"	12"	14"	16"	18"	20"	22"	24"	25"
Depth (DIM B)	8"	■	■	■	■	■	■	■	■	■	■
	10"		■	■	■	■	■	■	■	■	■
	12"			■	■	■	■	■	■	■	■
	14"				■						

- Built to SMACNA standards
- Slip & Drive connection standard
- Snap lock seam standard, Hemmed lock available also
- Available in 3', 4', or 5' lengths
- Custom sizes available



507 County Road E West
Shoreview, MN 55126
(651) 621-8808

COMMERCIAL DUCT

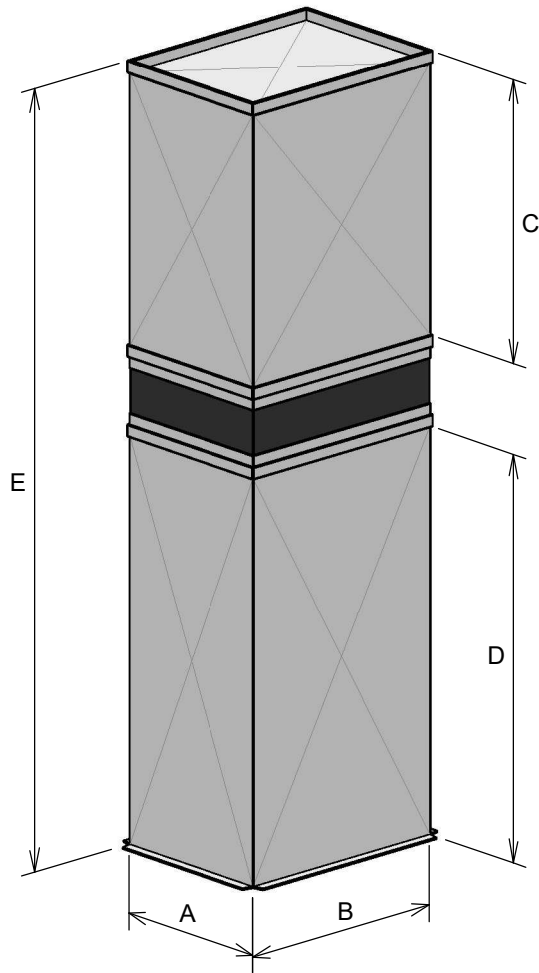


- Built to SMACNA standards
- Slip & Drive connection standard
- Snap lock seam standard, Pittsburgh lock available also
- Available in 4' or 5' lengths
- Commercial duct sizes are design/build



507 County Road E West
 Shoreview, MN 55126
 (651) 621-8808

COMPLETE PLENUM



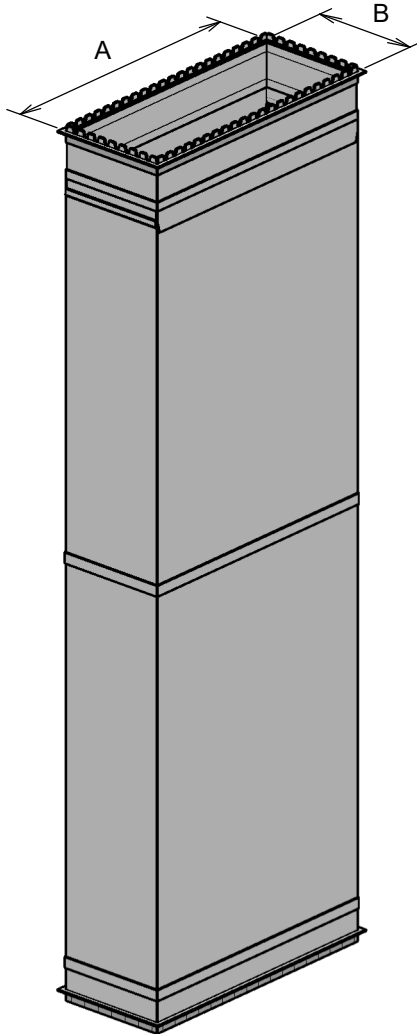
	Dimension A	Dimension B	Dimension C	Dimension D	Dimension E
14 1/4 x 20	14.25"	20"	2'	3'	63.5"
16 1/2 x 20	16.5"	20"	2'	3'	63.5"
17 1/2 x 20	17.5"	20"	2'	3'	63.5"
17 1/2 x 21	17.5"	21"	2'	3'	63.5"
20 1/4 x 20	20.25"	20"	2'	3'	63.5"
21 x 20	21"	20"	2'	3'	63.5"
23 x 20	23"	20"	2'	3'	63.5"

- Complete kit includes: Upper plenum, lower plenum, canvas, and top
- 1" clearance built into top design
- Fits standard furnace sizes - A, B, C, D
- Great for new construction where cased coil is not used
- Each piece also available individually (upper plenum, lower plenum, canvas, and top)



507 County Road E West
Shoreview, MN 55126
(651) 621-8808

DUCT DROP KIT



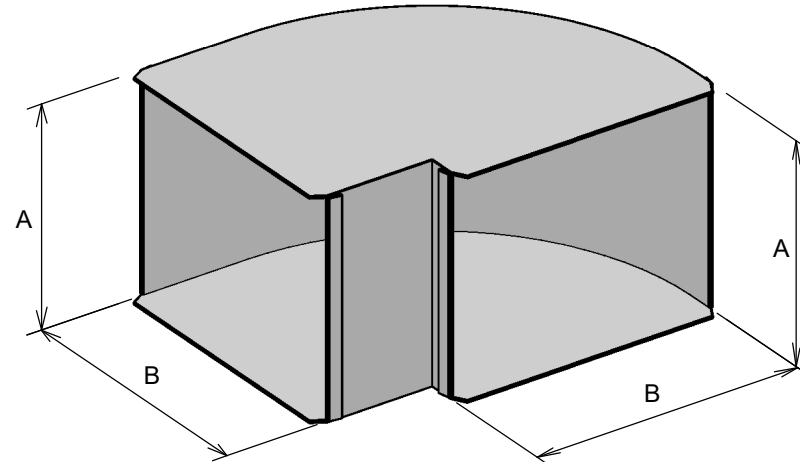
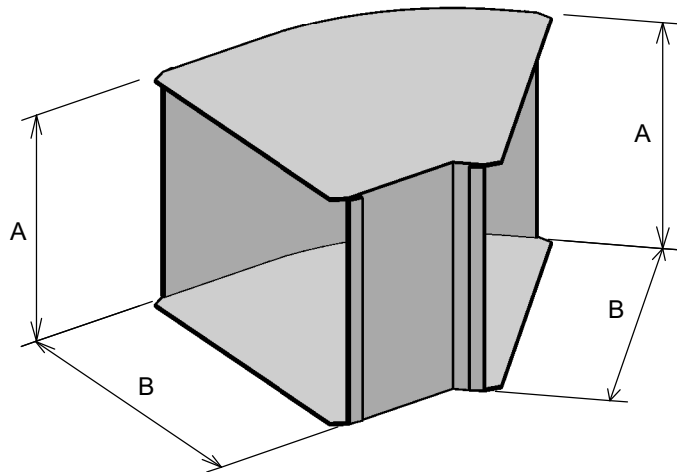
Kit Size	Duct Connection	
	Dim A	Dim B
20x10	20"	10"
25x10	25"	10"

- Constructed with heavy gauge galvanized steel
- Kit includes start fitting, 2 sections of 36" duct, 3-way sleeve and slips/drives



507 County Road E West
 Shoreview, MN 55126
 (651) 621-8808

BIG WAY ELBOWS
 (45 AND 90 DEGREE)



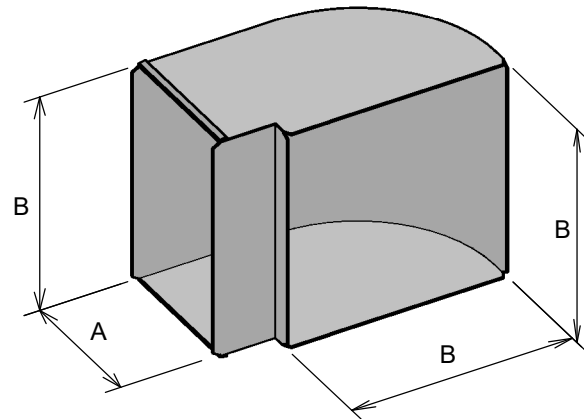
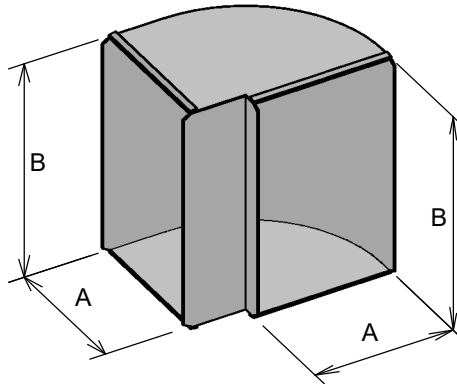
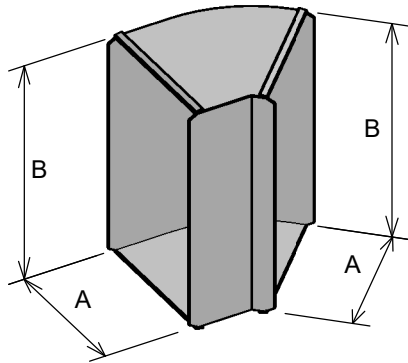
	DIM B									
	8"	10"	12"	14"	16"	18"	20"	22"	24"	25"
8" Duct (DIM A)	■	■	■	■	■	■	■	■	■	
10" Duct (DIM A)		■	■	■	■	■	■			■
12" Duct (DIM A)										■

- 1 x 4 Throat
- For residential installation
- Custom sizes available



507 County Road E West
 Shoreview, MN 55126
 (651) 621-8808

SHORT WAY ELBOWS
 (45 AND 90 DEGREE)
 & JUMPER ELBOWS



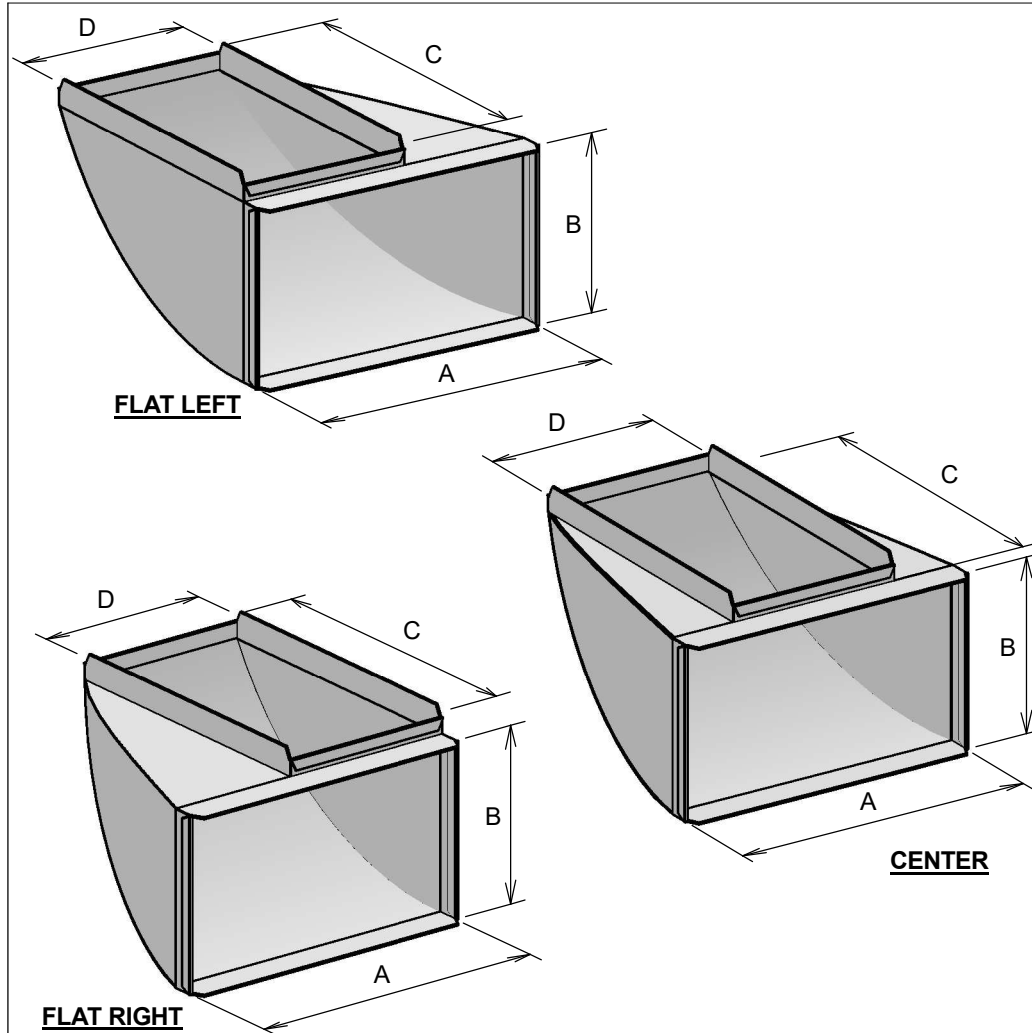
	DIM B									
	8"	10"	12"	14"	16"	18"	20"	22"	24"	25"
8" Duct (DIM A)	■	■	■	■	■	■	■	■	■	
10" Duct (DIM A)		■	■	■	■	■	■			■
12" Duct (DIM A)										■

- 1 x 4 Throat
- For residential installation
- Custom sizes available



507 County Road E West
 Shoreview, MN 55126
 (651) 621-8808

REVERSE ELBOW



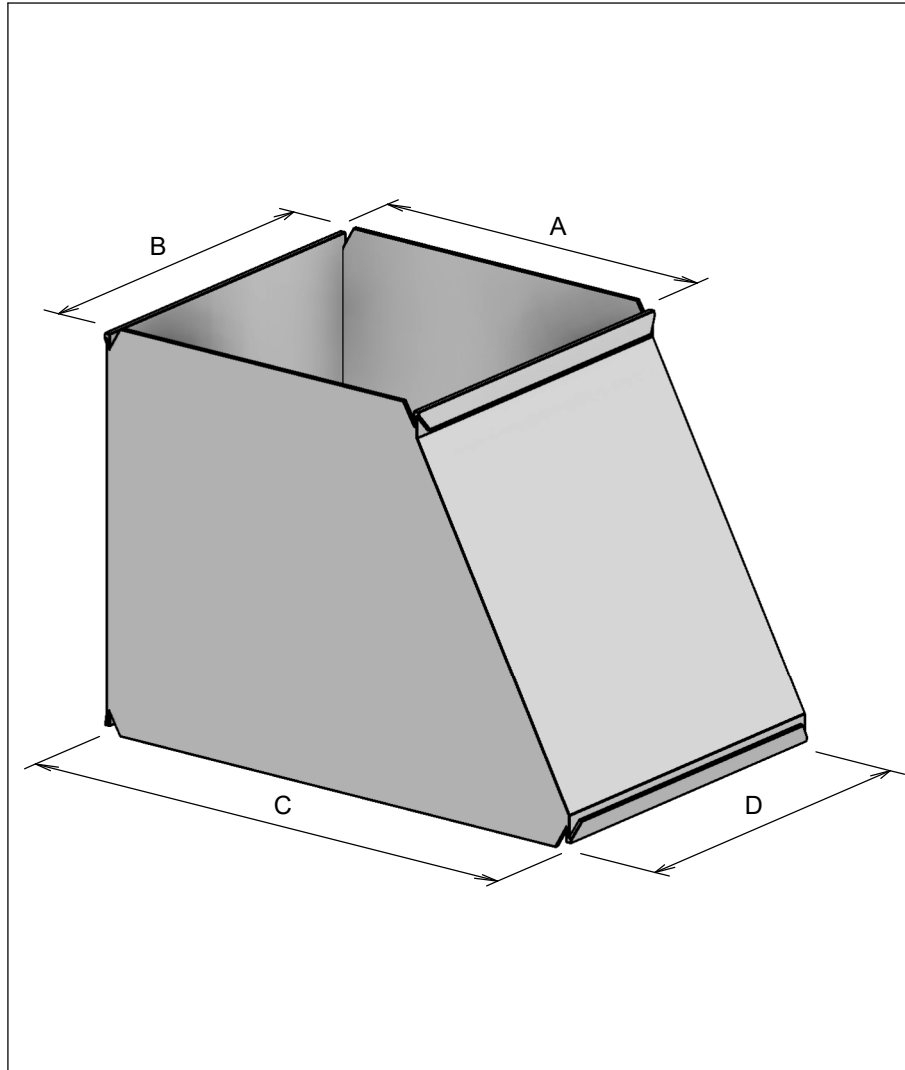
Size	Dimension A	Dimension B	Dimension C	Dimension D
10 x 8	10"	8"	10"	8"
12 x 8	12"	8"	12"	8"
14 x 8	14"	8"	14"	8"
16 x 8	16"	8"	16"	8"
18 x 8	18"	8"	18"	8"
20 x 8	20"	8"	20"	8"
22 x 8	22"	8"	22"	8"
24 x 8	24"	8"	24"	8"
12 x 10	12"	10"	12"	10"
14 x 10	14"	10"	14"	10"
16 x 10	16"	10"	16"	10"
18 x 10	18"	10"	18"	10"
20 x 10	20"	10"	20"	10"

- Available in center, flat on left, and flat on right
- Custom sizes available



507 County Road E West
 Shoreview, MN 55126
 (651) 621-8808

DUCT TRANSITIONS



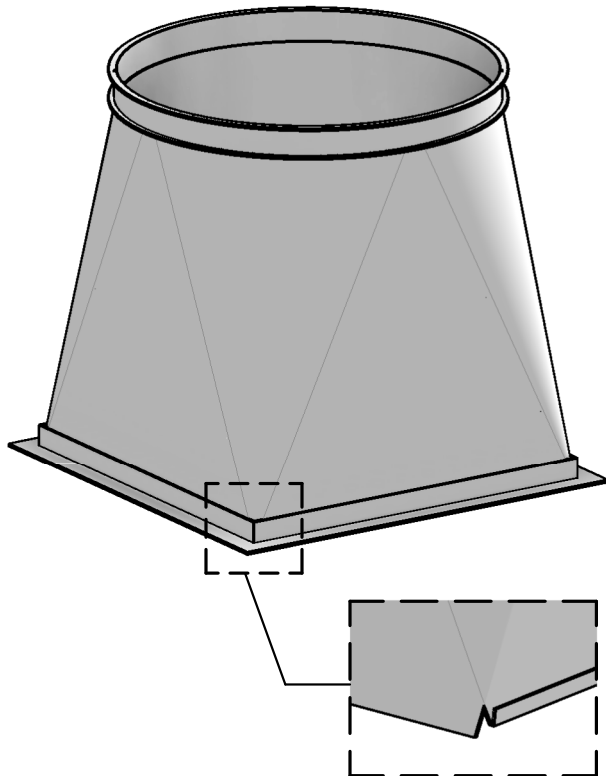
	CxD	10x8	12x8	14x8	16x8	18x8	20x8	22x8	24x8	14x10	16x10	18x10	20x10
8x8		■	■	■	■								
10x8			■	■	■	■							
12x8				■	■	■	■						
14x8					■	■	■	■		■			
16x8						■	■	■	■				
18x8							■	■	■				
20x8								■	■				■
22x8									■				
12x10			■							■			
14x10											■		
16x10					■							■	
18x10						■							
25x10													■

- Custom sizes available
- Reducable in both directions (width and length)



507 County Road E West
Shoreview, MN 55126
(651) 621-8808

SQUARE TO ROUND TRANSITION



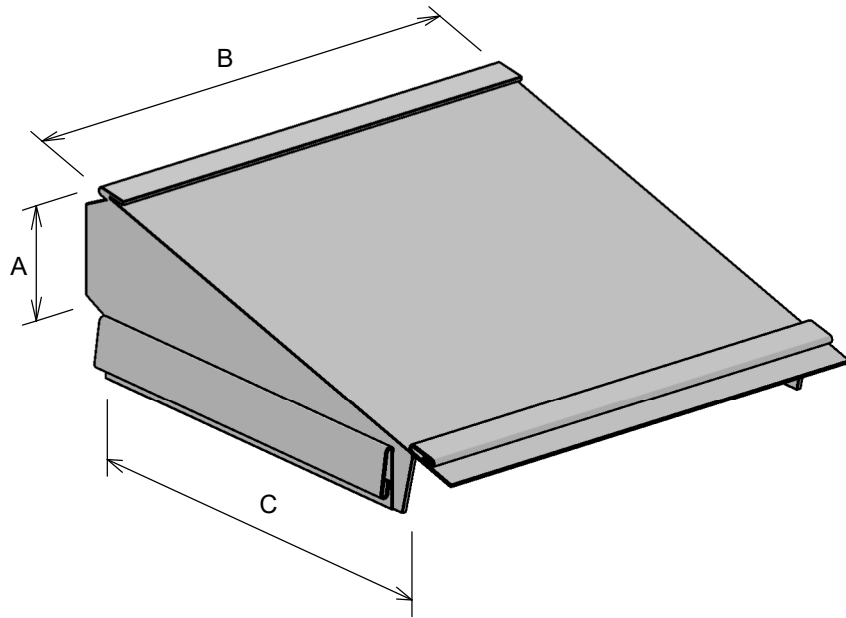
Slip & Drive Connection Available

- Available with TDC, Slip & Drive, or Raw Edge connection
- Can be centered, flat to one side, or offset
- Custom sizes available



507 County Road E West
Shoreview, MN 55126
(651) 621-8808

SHORT INCREASER/REDUCER TRANSITION

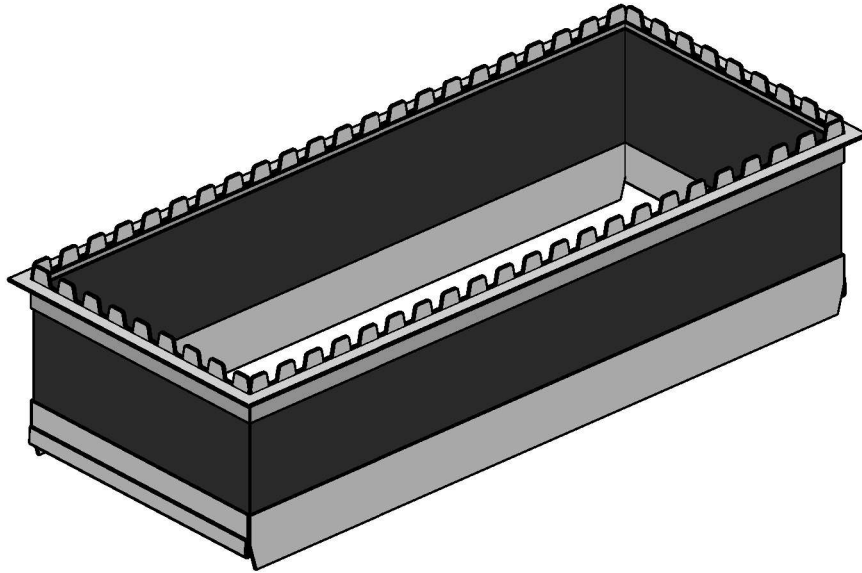


	Dimension A	Dimension B	Dimension C
2"x8"	2"	8"	8"
4"x8"	4"	8"	8"
6"x8"	6"	8"	8"
8"x8"	8"	8"	8"
2"x10"	2"	10"	8"
4"x10"	4"	10"	8"
6"x10"	6"	10"	8"
8"x10"	8"	10"	8"



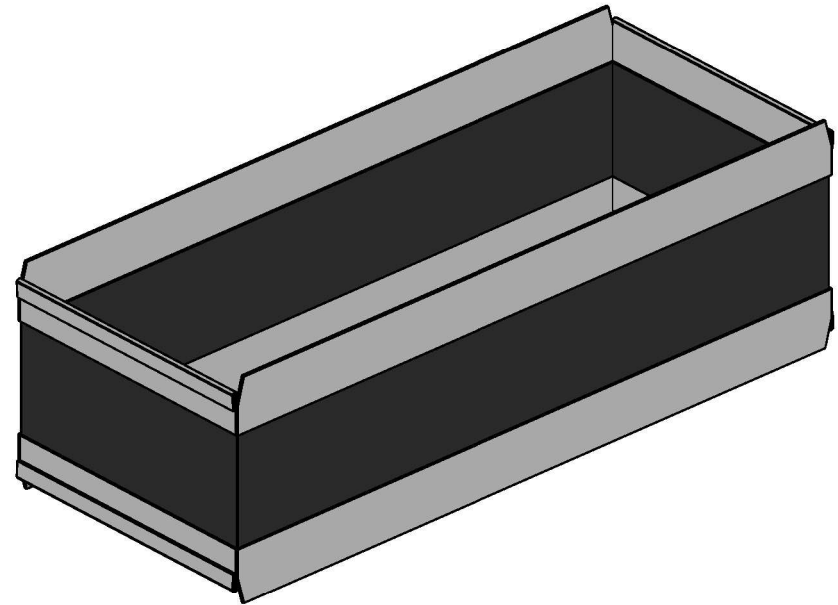
507 County Road E West
Shoreview, MN 55126
(651) 621-8808

CANVAS CONNECTORS



3-WAY CANVAS CONNECTOR

- Available in 20x10, 25x10, and 25x12
- Labor saving by eliminating the need for separate start collar and canvas
- Sound and vibration isolator
- Rounded tabs



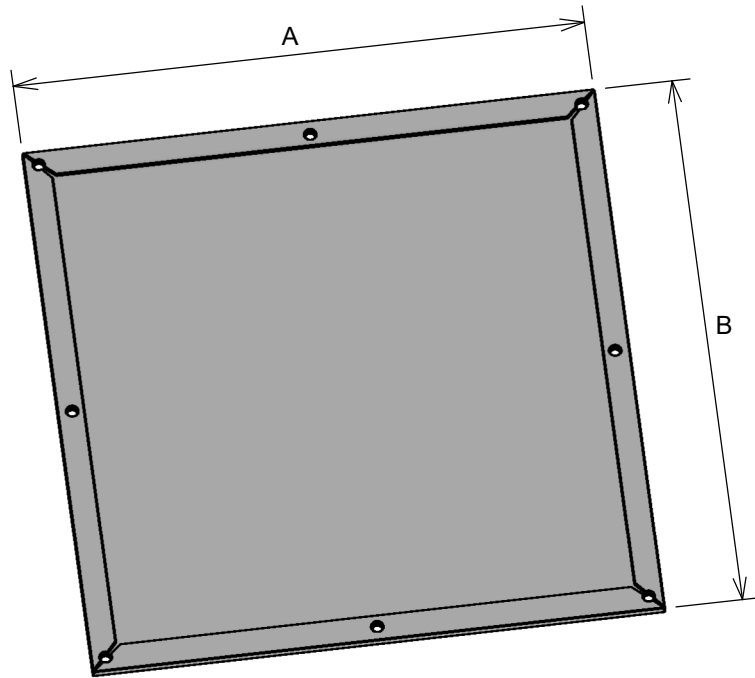
CANVAS CONNECTOR

- Available in 20x10, 25x10, and 25x12
- Sound and vibration isolator
- Slip and drive connection



507 County Road E West
Shoreview, MN 55126
(651) 621-8808

DUCT PATCH



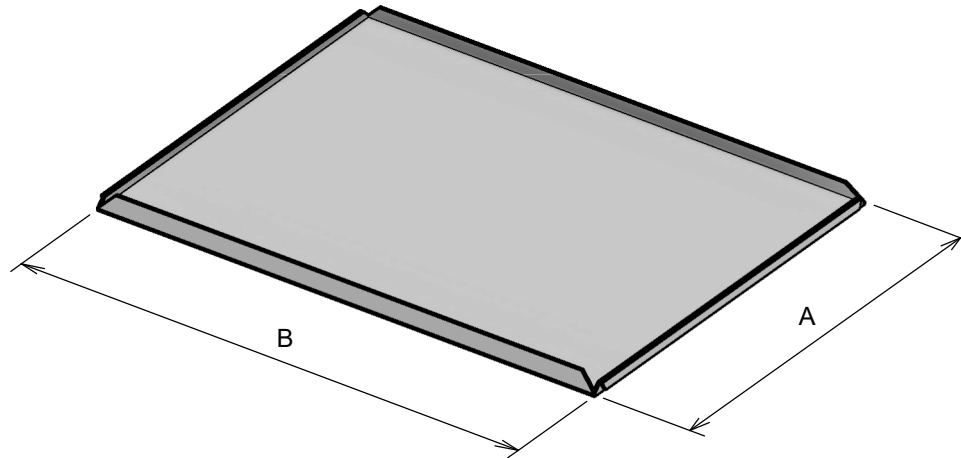
Dimension A	Dimension B
8"	8"
10"	10"
12"	12"
14"	14"
16"	16"
18"	18"

- Constructed with heavy gauge galvanized steel
- Pre-drilled holes for ease of mounting
- Folded edges for added support
- Gasket provided upon request



507 County Road E West
 Shoreview, MN 55126
 (651) 621-8808

END CAP



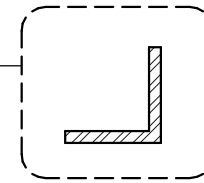
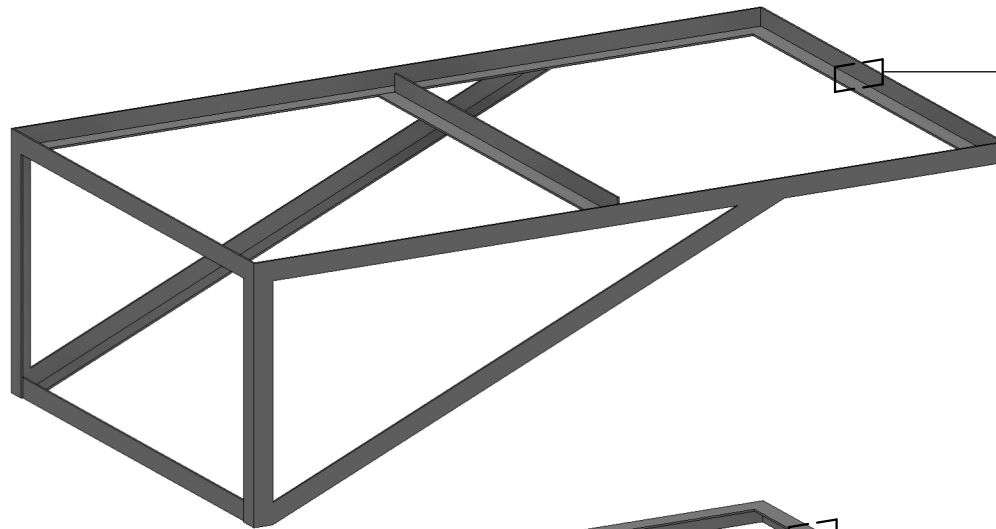
		Length (DIM B)									
		8"	10"	12"	14"	16"	18"	20"	22"	24"	25"
Width (DIM A)	8"	■	■	■	■	■	■	■	■	■	
	10"		■	■	■	■	■	■	■	■	■
	12"			■	■	■	■	■	■	■	■
	14"				■						

➤ Slip & Drive Connection

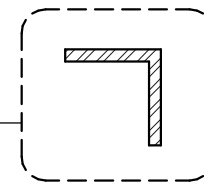
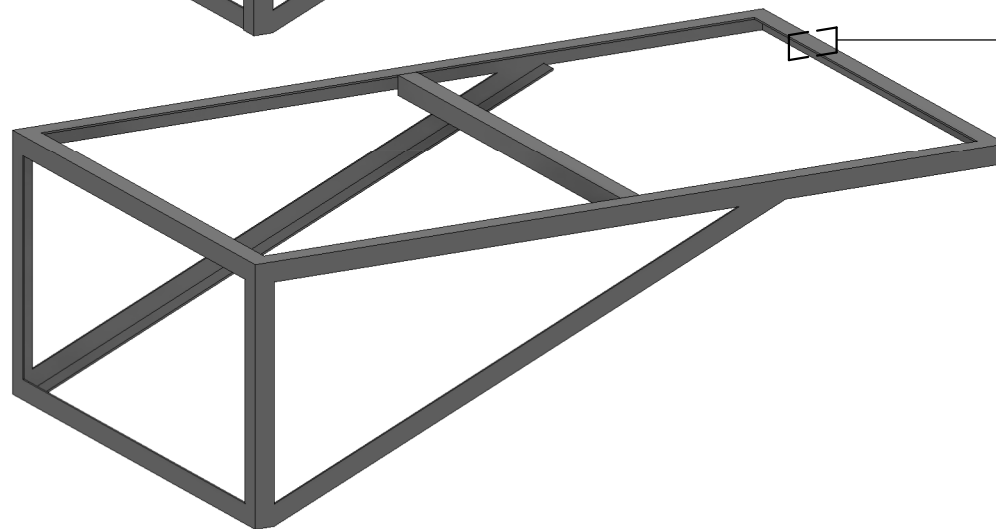


507 County Road E West
Shoreview, MN 55126
(651) 621-8808

A/C BRACKET & UNIVERSAL A/C BRACKET



A/C BRACKET



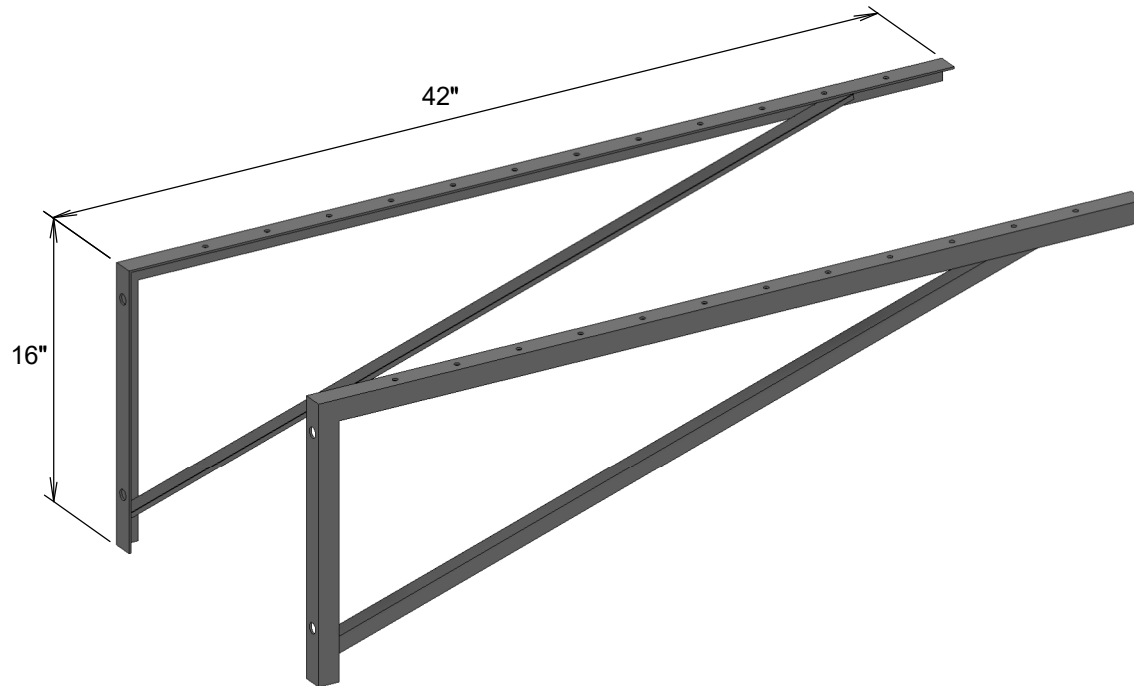
UNIVERSAL A/C BRACKET

- Available in 21-1/2 x 21-1/2 and 24-1/2 x 24-1/2 sizes
- Wall mount (fasteners not included)
- Powder coated
- Mount at any height to allow for easy maintenance under units
- No need to wait for finished grade or landscaping prior to installation of A/C unit



507 County Road E West
Shoreview, MN 55126
(651) 621-8808

A/C BRACKET
2 PIECE

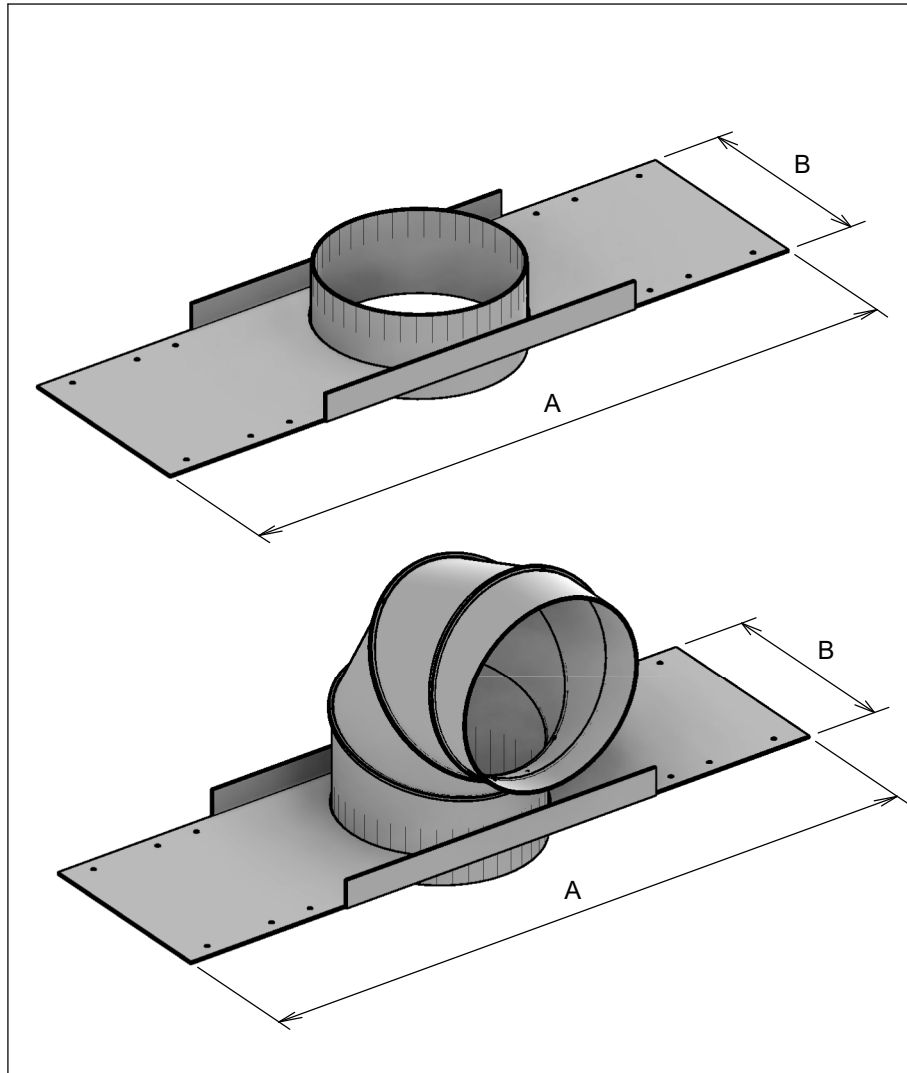


- Heavy duty steel brackets
- Mount at any height to allow for easy maintenance under units
- No need to wait for finished grade or landscaping prior to installation of A/C unit
- Pre-punched holes for easy installation



507 County Road E West
Shoreview, MN 55126
(651) 621-8808

CEILING FRAME



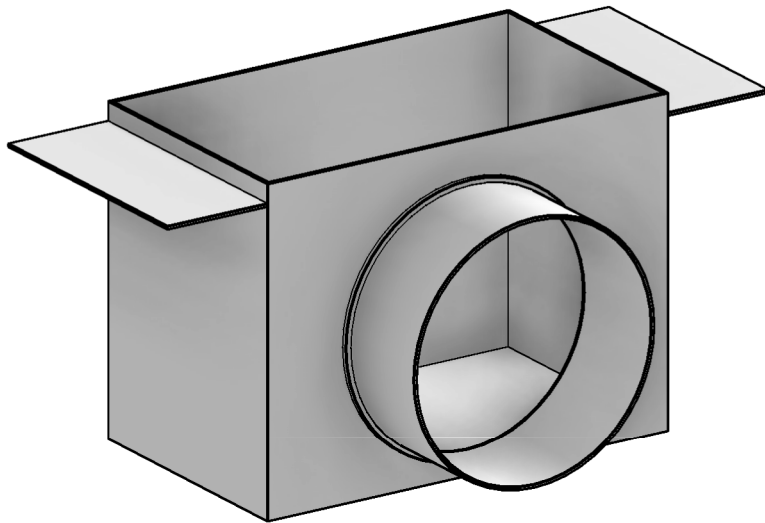
	Dimension A	Dimension B	Connection
Straight	26"	6"	6"
90 Degree	26"	6"	6"

- Use to mount ceiling registers
- Can be used for 16" or 24" on center
- Straight or 90 degree configuration



507 County Road E West
Shoreview, MN 55126
(651) 621-8808

CEILING HEAD

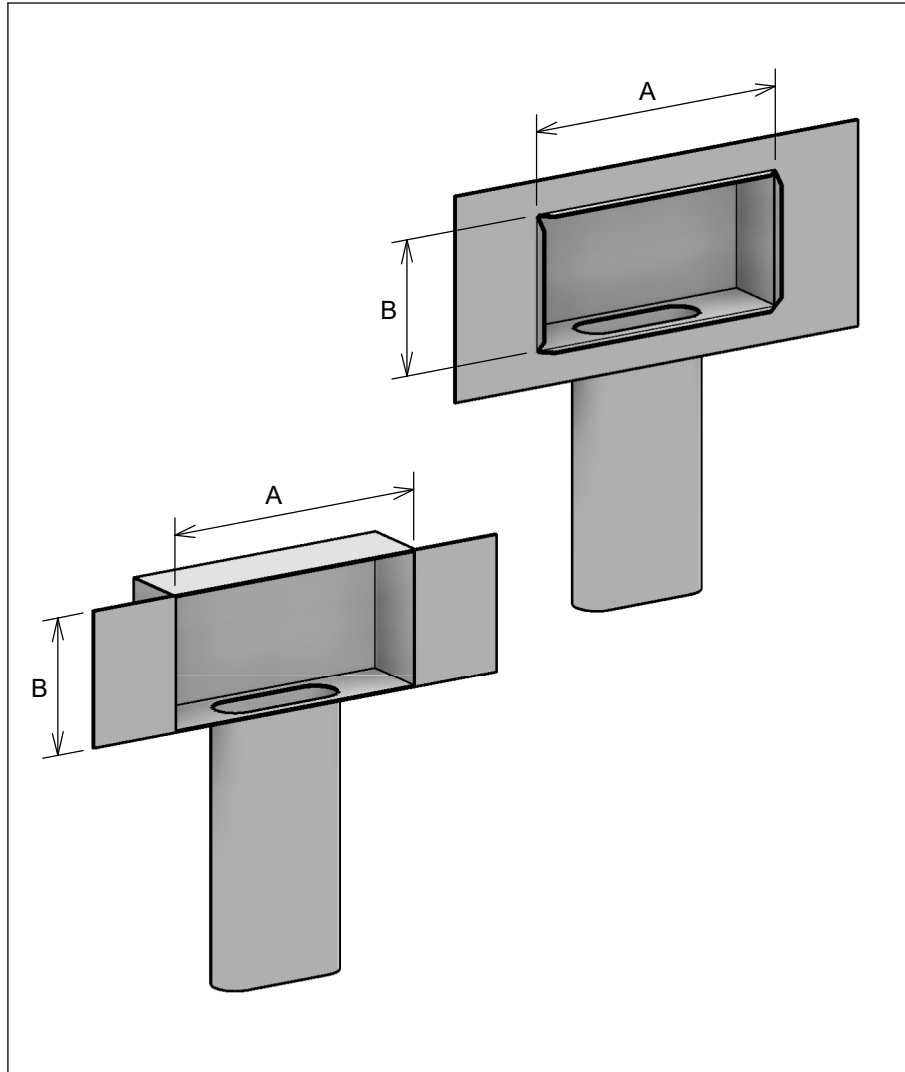


- Available sizes:
 - 6x10-6
 - 6x12-6
 - 6x10-6 straight
- Constructed with heavy gauge galvanized steel
- Used to transition from round pipe to register
- Includes attached ears for fastening to joists



507 County Road E West
Shoreview, MN 55126
(651) 621-8808

OVAL STACK HEAD



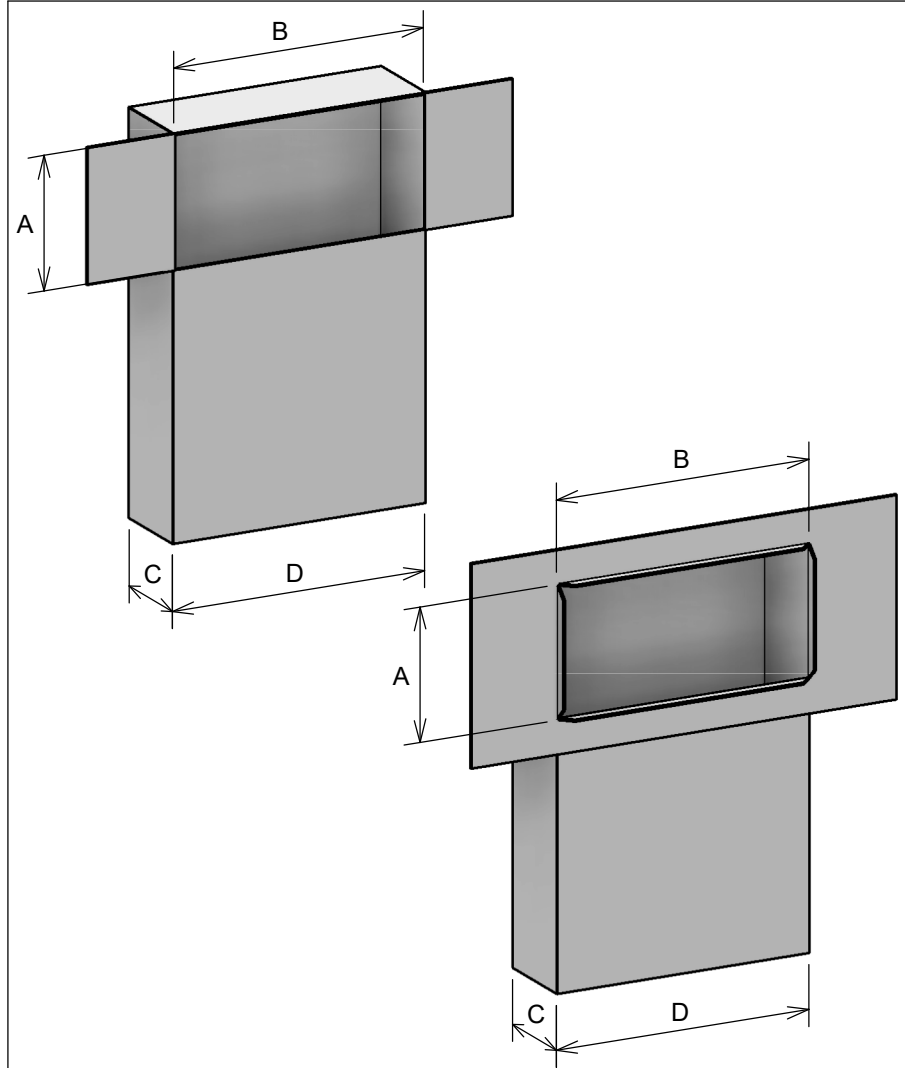
Register Size	Dim		Pipe Size	Options
	A	B		
4x8	8"	4"	4" Round	
10x6	10"	6"	6" Oval	Sealed or Unsealed, Frame or Ears
12x6	12"	6"	7" Oval	Sealed or Unsealed, Frame or Ears
14x6	14"	6"	7" Oval	Sealed or Unsealed, Frame or Ears

➤ Constructed with heavy gauge galvanized steel



507 County Road E West
 Shoreview, MN 55126
 (651) 621-8808

STACK HEAD

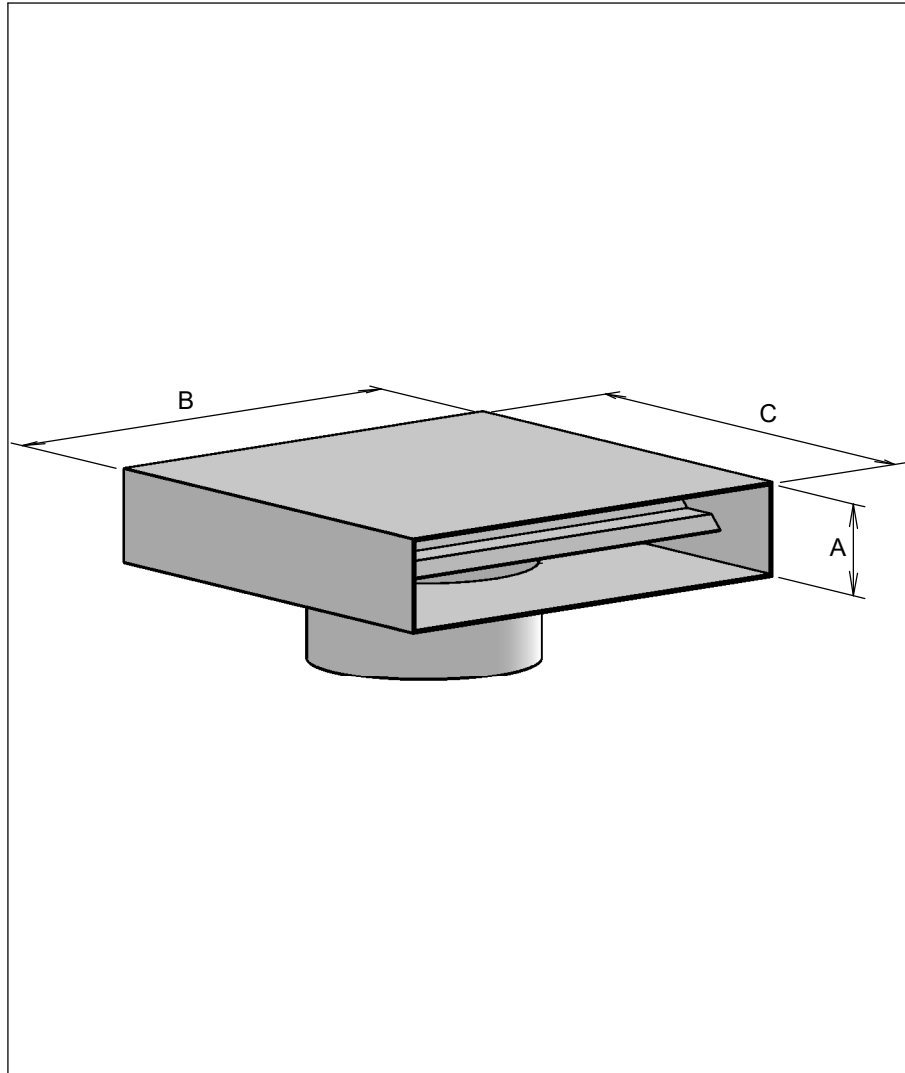


Register Size	Duct Size		Options		
	Dim A	Dim B	Dim C	Dim D	
6x12	6"	12"	3.25x12	3.25" 12"	w/ 7" Collar and Ears
6x12	6"	12"	3.25x12	3.25" 12"	w/ 7" Collar and Frame
6x14	6"	14"	3.25x14	3.25" 14"	w/ 7" Collar and Ears
6x14	6"	14"	3.25x14	3.25" 14"	w/ 7" Collar and Frame



507 County Road E West
Shoreview, MN 55126
(651) 621-8808

TOESPACE HEAD

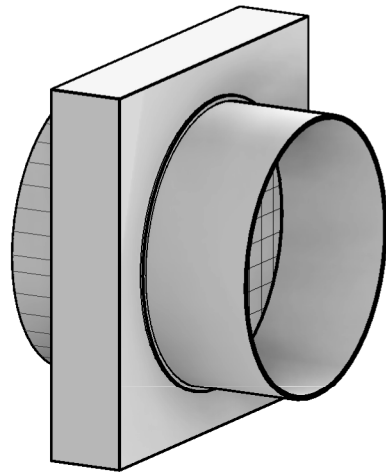


Dimension A	Dimension B	Dimension C	Damper
2-1/4"	10"	12"	Yes
2-1/4"	12"	12"	Yes



507 County Road E West
Shoreview, MN 55126
(651) 621-8808

ROUND FILTER BOX

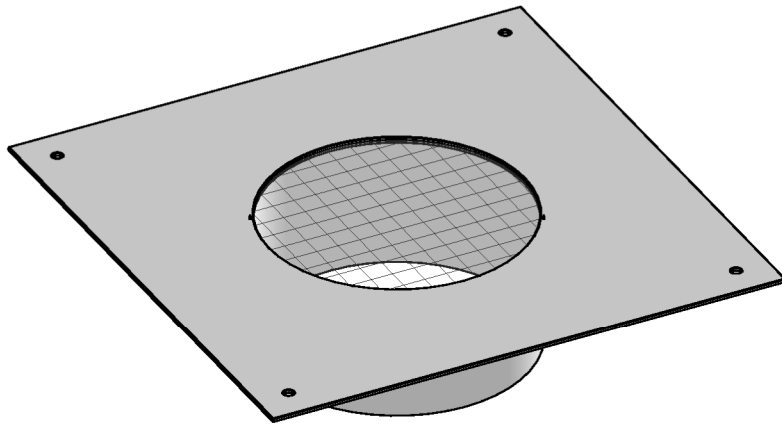


- Available sizes include 6", 8", 10", 12"
- Filter included and is washable (reusable)
- Comes with friction fit cover
- Can be used for general air filtration or used to filter incoming fresh air



507 County Road E West
Shoreview, MN 55126
(651) 621-8808

SOFFIT VENT



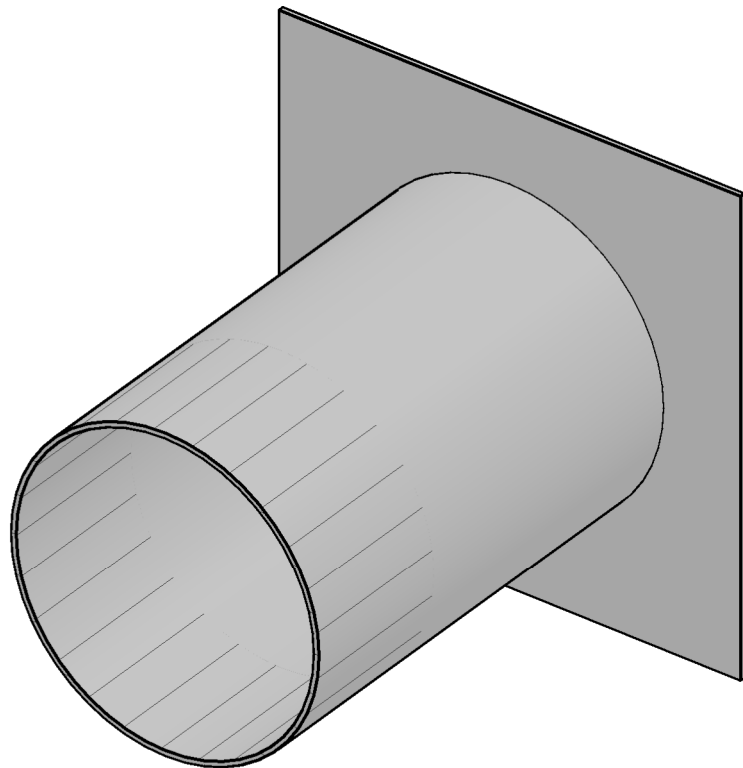
SOFFIT VENT

- Available in 3", 4", 5", 6", 7" and 8"
- Quality galvanized construction with 1/4" bird screen



507 County Road E West
Shoreview, MN 55126
(651) 621-8808

BATHROOM EXHAUST HOOKUP

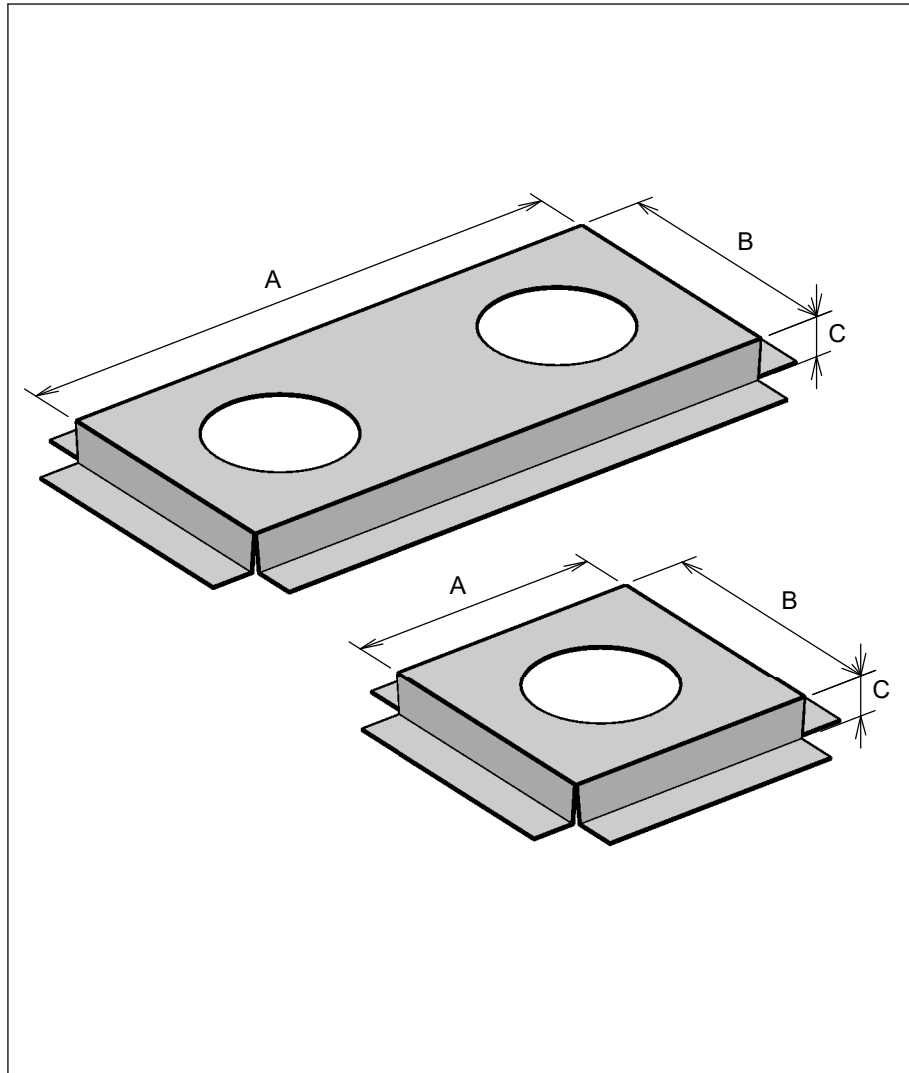


- 4" round with 6"x6" base
- 4" round with 12"x12" base
- 6" round with 12"x12" base



507 County Road E West
 Shoreview, MN 55126
 (651) 621-8808

TERMINATION BOX



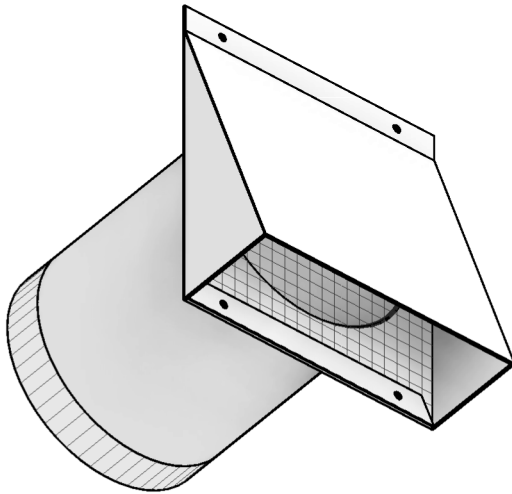
Termination Box	Dimensions			
	Hole Size	Dim A	Dim B	Dim C
2 PVC DBL	2.6"	10"	4.5"	1"
3 PVC DBL	3.6"	12"	5"	1"
1 PVC SGL	1.25"	4.5"	4.5"	3/4"
1.5 PVC SGL	2"	4.5"	4.5"	3/4"
2 PVC SGL	2.6"	4.5"	4.5"	3/4"
3 PVC DBL	3.6"	5"	5"	3/4"
4 PVC SGL	4.25"	8"	8"	1"

- Available in galvanized or white
- Available to fit 2" or 3" pvc pipe
- 3/4" or 1" standoff



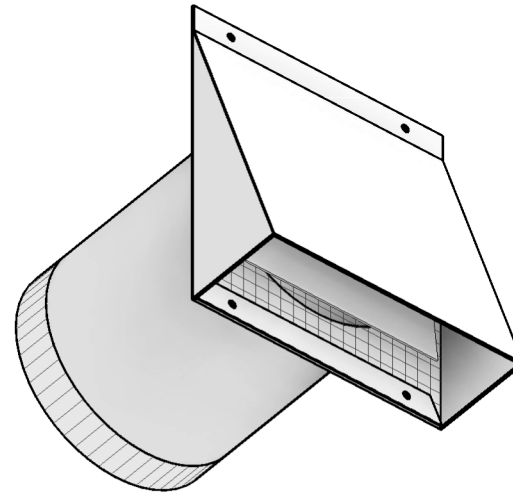
507 County Road E West
Shoreview, MN 55126
(651) 621-8808

FRESH AIR HOOD EXHAUST HOOD



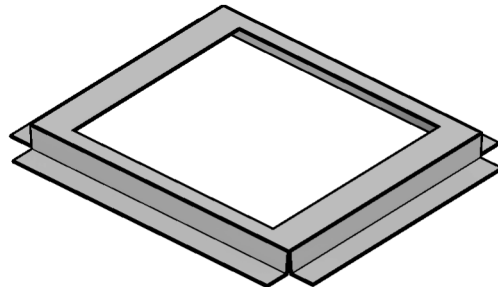
FRESH AIR HOOD

- Available in 4-10" and 12"
- Custom sizes available
- Bird screen
- 10" long throat



EXHAUST HOOD

- Available in 4", 6", 7" & 8"
- Custom sizes available
- Bird screen
- Weighted canvas damper
- 10" long throat

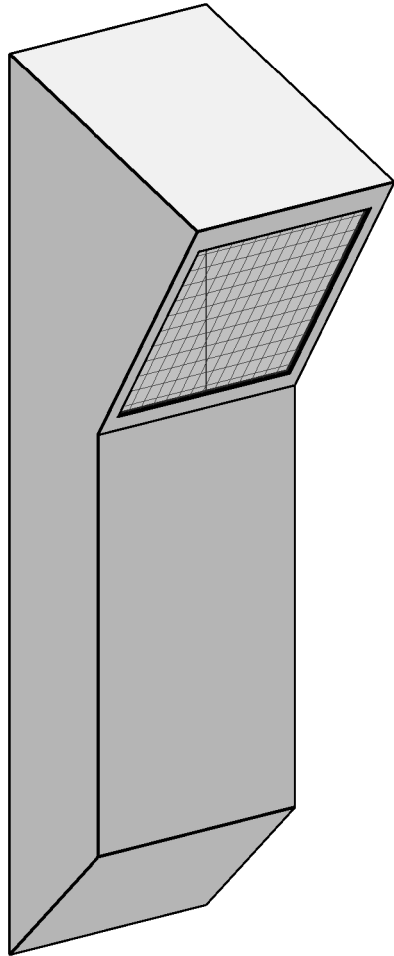


FRESH AIR HOOD TERMINATION PLATE



507 County Road E West
Shoreview, MN 55126
(651) 621-8808

SNOW HOOD



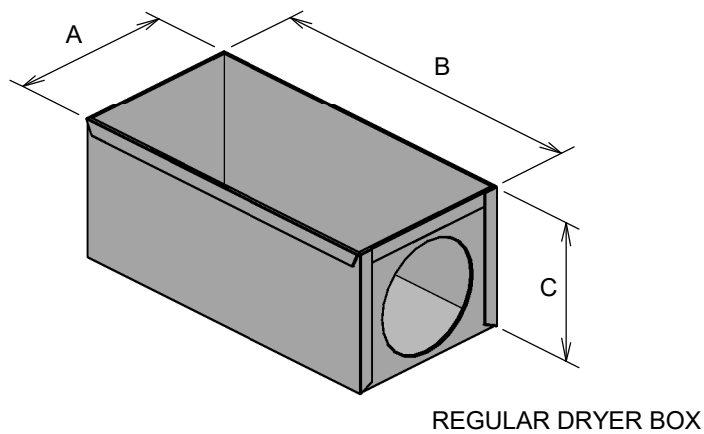
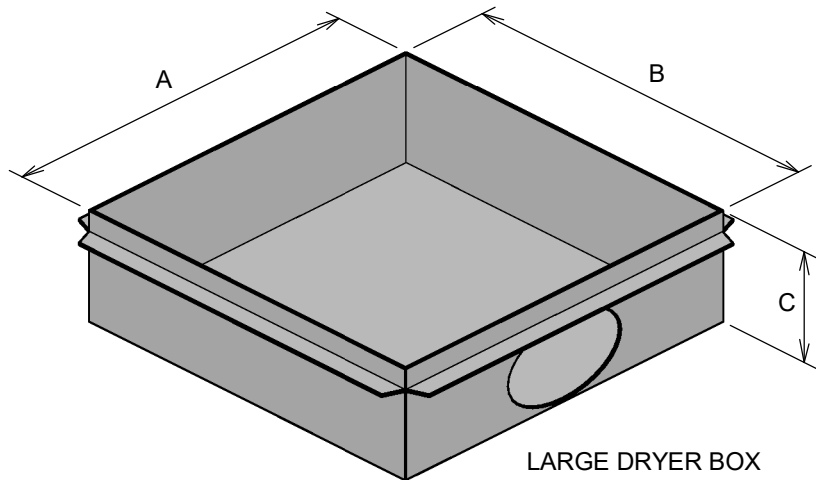
SNOW HOOD

- Available with 4", 5" or 6" collar or blank
- Raises fresh air intake
- Custom sizes available



507 County Road E West
Shoreview, MN 55126
(651) 621-8808

DRYER BOX



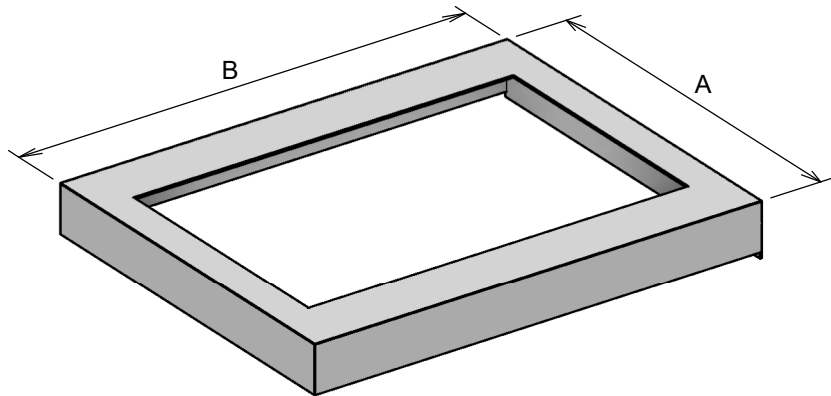
	Dimension A	Dimension B	Dimension C	Opening
Large	14"	14"	4"	4" Oval
Regular	6"	12"	5"	4" Round

- Dryer box is recessed in wall for clean looking installation
- Allows dryer to be located closer to wall
- Provides easier hook-up to dryer venting



507 County Road E West
Shoreview, MN 55126
(651) 621-8808

COIL PAN



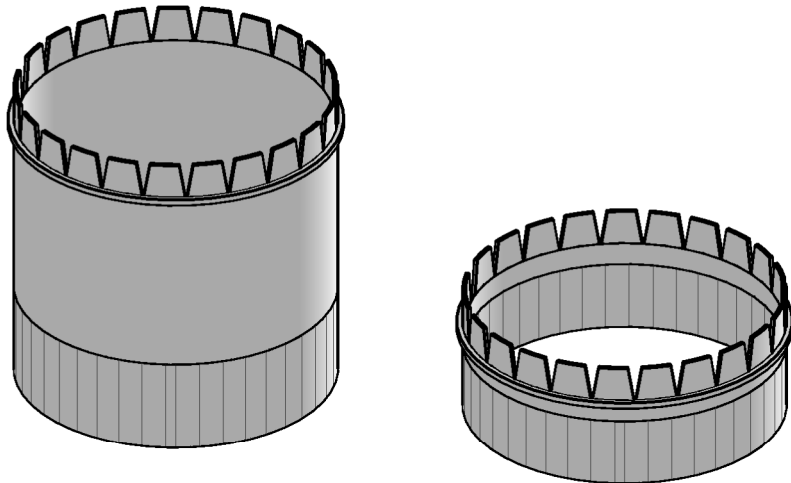
Pan Size	Dimension A	Dimension B
13-1/4 x 20	13-1/4"	20"
16-1/4 x 20	16-1/4"	20"
23-1/4 x 20	23-1/4"	20"
20 x 20	20"	20"

- Constructed with heavy gauge galvanized steel
- 2" deep; rear of pan is 2-1/4" deep to pitch the A-Coil for drainage



507 County Road E West
Shoreview, MN 55126
(651) 621-8808

COLLAR -
SHORT/LONG

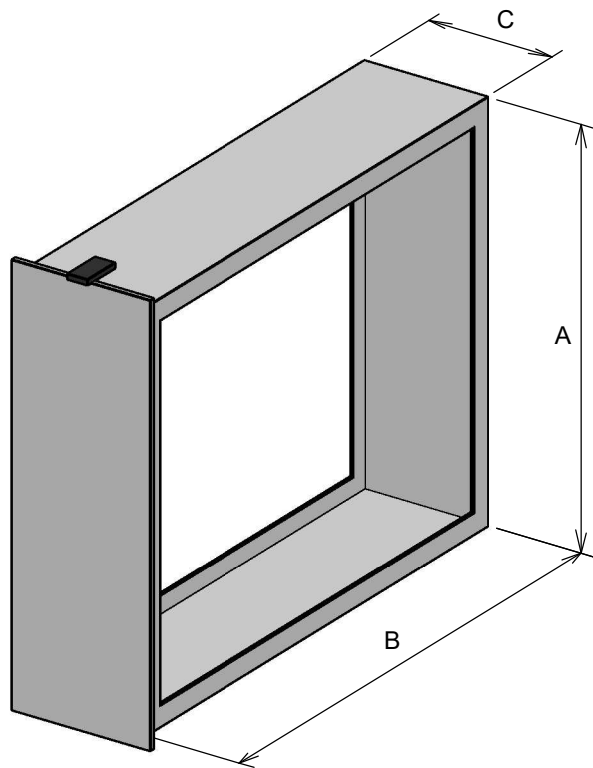


- Available in short (2") or long (6") lengths
- Available in 3"-20" diameters
- Short collars are available crimped or non-crimped
- Rounded tabs to avoid sharp edges



507 County Road E West
Shoreview, MN 55126
(651) 621-8808

UNIVERSAL FILTER RACK



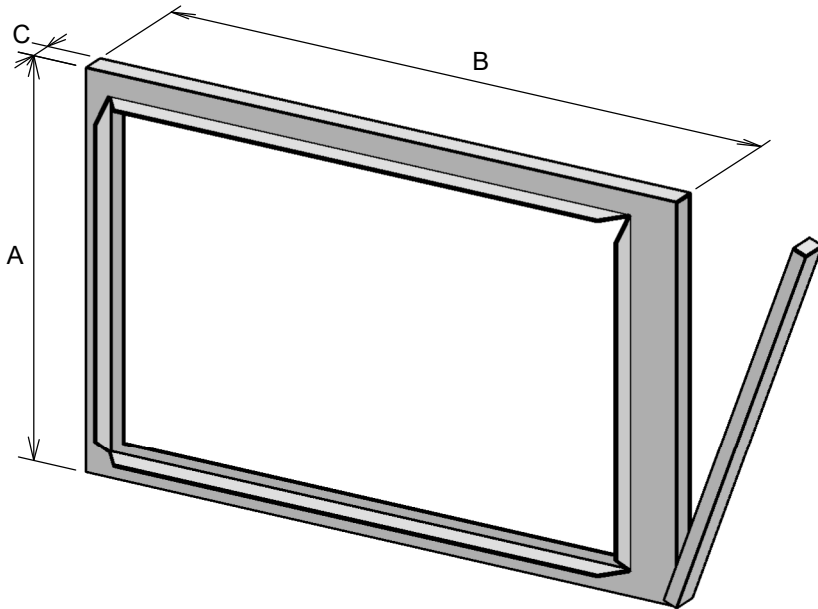
	Dimension A	Dimension B	Dimension C	Filter Size
16x20x7	16"	20"	7"	16x20
16x25x7	16"	25"	7"	16x25
20x25x7	20"	25"	7"	20x25

- Constructed with heavy gauge galvanized steel
- Removable door
- Great for retrofit and new construction installation
- Fits 1"-5" filters including Honeywell and Trion
- Can be paired with Universal Filter Rack Boot to increase ease of installation



507 County Road E West
Shoreview, MN 55126
(651) 621-8808

FILTER RACK



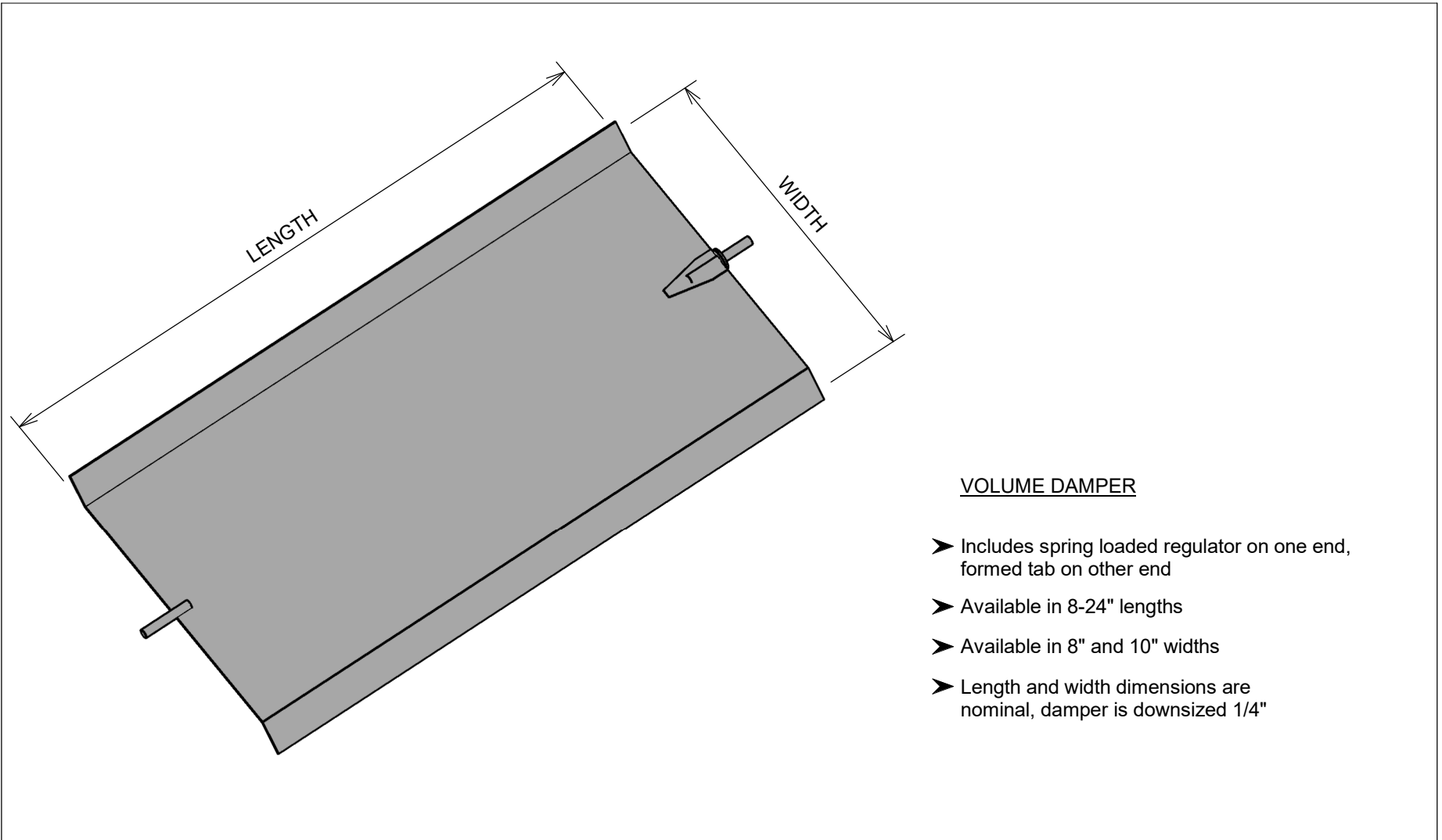
	Dimension A	Dimension B	Dimension C	Filter Size
14x20x1	14"	20"	1"	14x20
16x20x1	16"	20"	1"	16x20
20x20x1	20"	20"	1"	20x20
16x25x1	16"	25"	1"	16x25
20x25x1	20"	25"	1"	20x25

- Side or top load configurations available
- Friction fit cover
- Fits 1" filter
- Custom sizes available



507 County Road E West
Shoreview, MN 55126
(651) 621-8808

VOLUME DAMPER



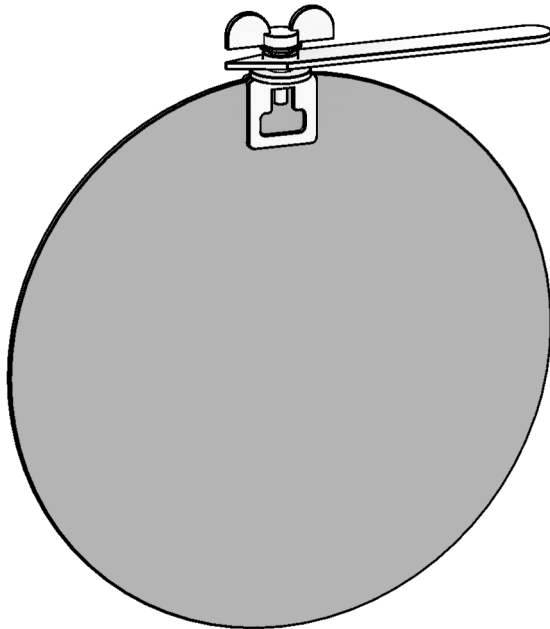
VOLUME DAMPER

- Includes spring loaded regulator on one end, formed tab on other end
- Available in 8-24" lengths
- Available in 8" and 10" widths
- Length and width dimensions are nominal, damper is downsized 1/4"



507 County Road E West
Shoreview, MN 55126
(651) 621-8808

ROUND DAMPER

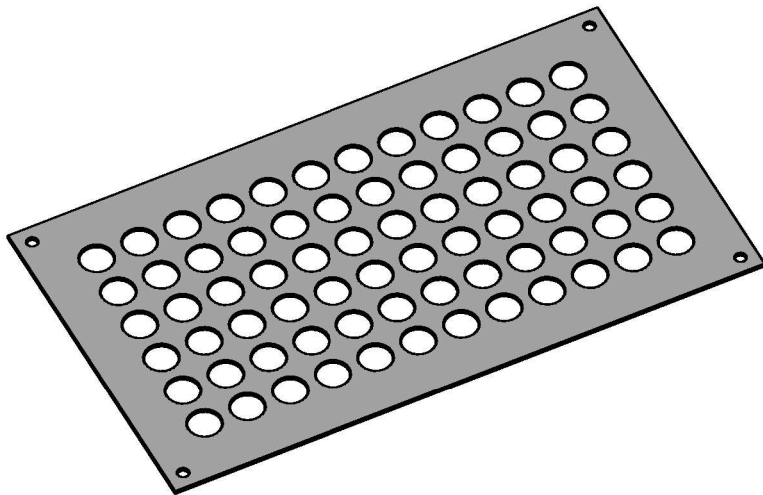


- 6" available w/ single Stay Tight regulator
- 4" - 14" available w/ RB50 Rapit regulators



507 County Road E West
Shoreview, MN 55126
(651) 621-8808

FLOOR COVER

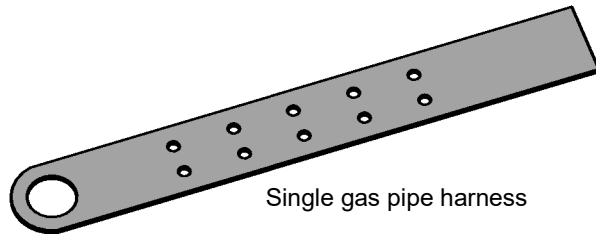


- For use during rough-in to reduce debris in register boots.
- Standard size - 12x6. Custom sizes available.
- Punched-hole design to allow airflow.

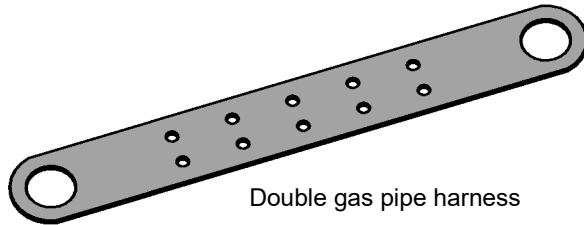


507 County Road E West
Shoreview, MN 55126
(651) 621-8808

GAS PIPE HARNESS
FURNACE LEG



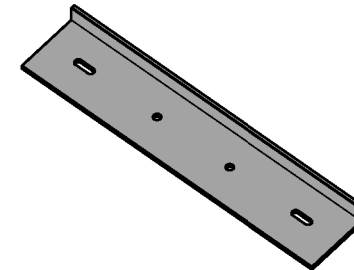
Single gas pipe harness



Double gas pipe harness

Gas Pipe Harness

- Used to hold 1/2" black iron gas piping in place
- 1-1/4" x 9"



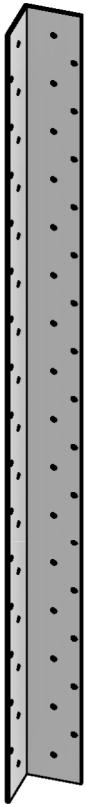
Furnace Leg

- 3/8" x 1" x 6" long
- Raises furnace off of the floor
- Can be used in new construction or retrofit installations
- Can be set to accomodate uneven floors



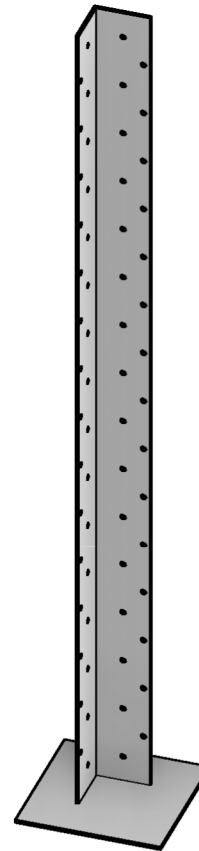
507 County Road E West
Shoreview, MN 55126
(651) 621-8808

PERFORATED ANGLE
PERFORATED LEG



PERFORATED ANGLE

- 16ga Construction
- 1-1/2" x 1-1/2"
- Available in 2', 4', 5' and 10' Lengths



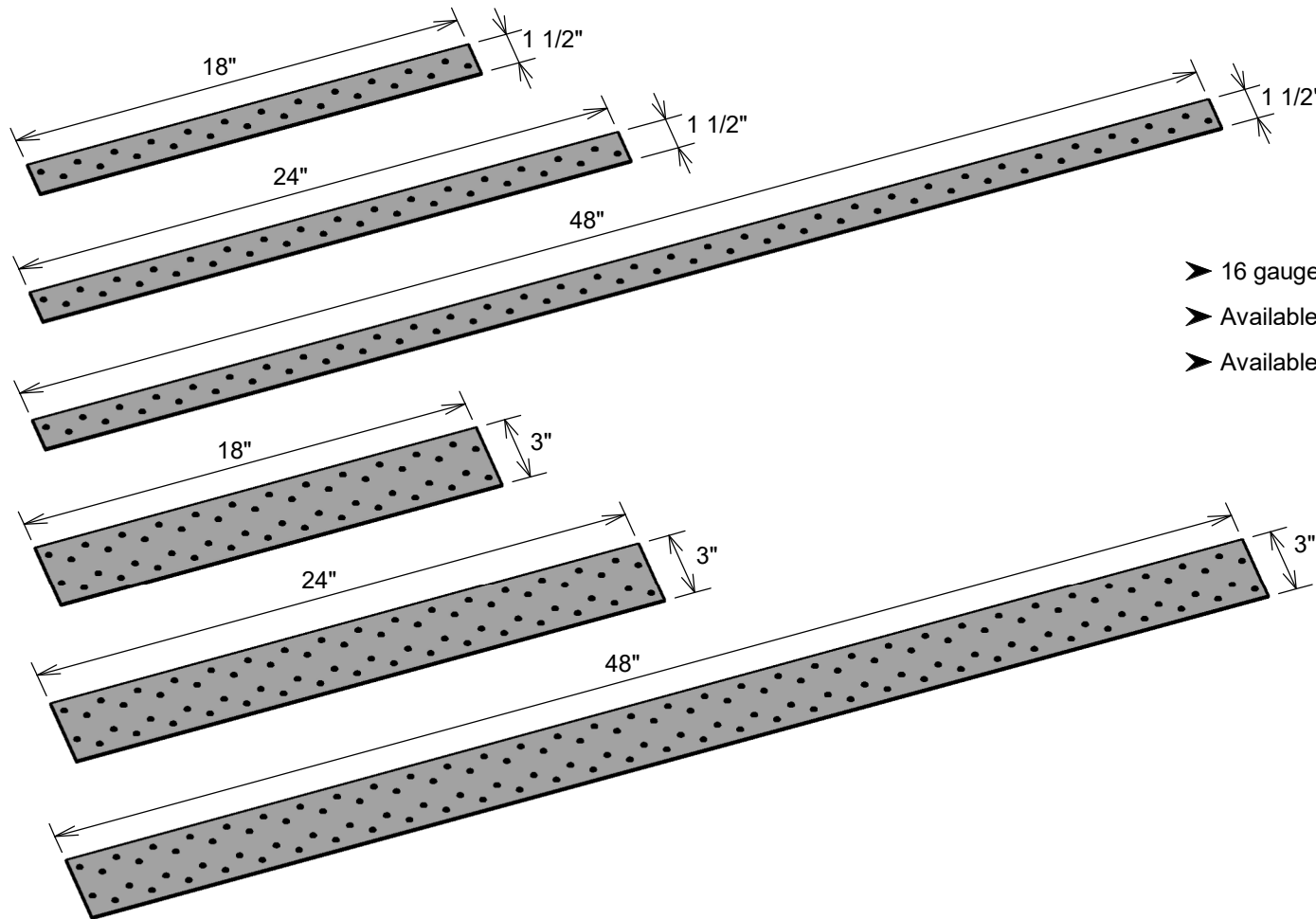
PERFORATED LEG

- 16ga Construction
- 1-1/2" x 1-1/2"
- 4" x 4" base plate
- Available in 4' and 5' Lengths



507 County Road E West
Shoreview, MN 55126
(651) 621-8808

HVAC NAIL PLATES

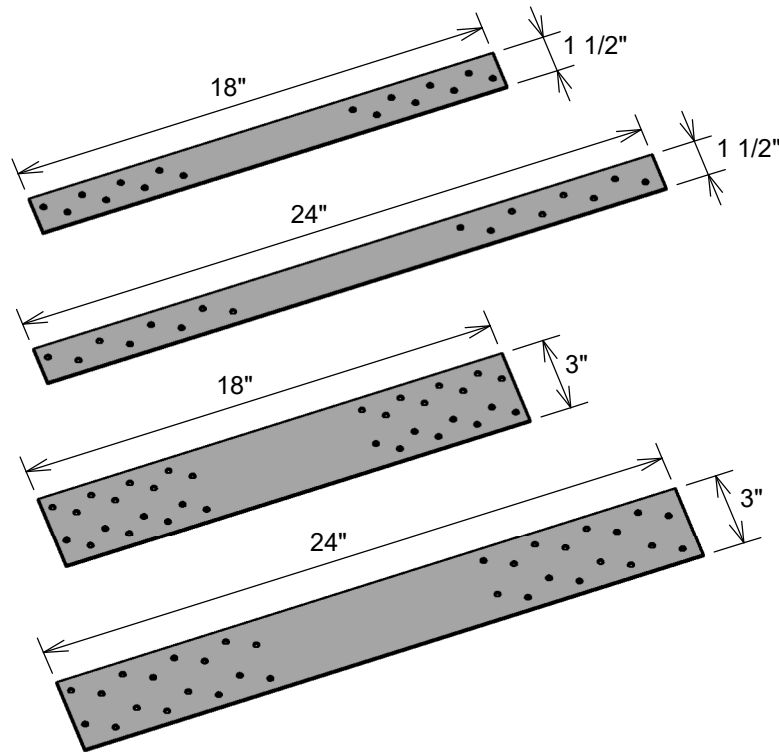


- 16 gauge construction
- Available in 18", 24", and 48" lengths
- Available in 1-1/2" or 3" widths



507 County Road E West
Shoreview, MN 55126
(651) 621-8808

PLUMBING NAIL PLATES

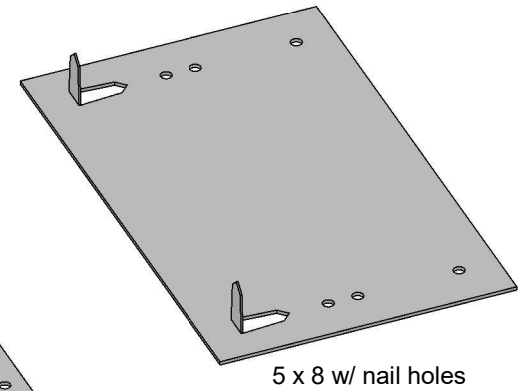
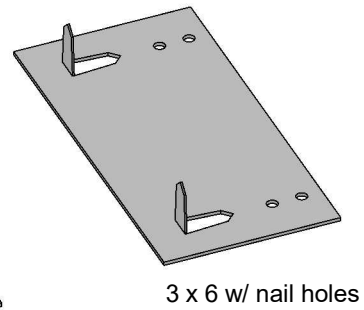
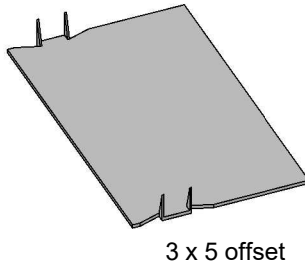
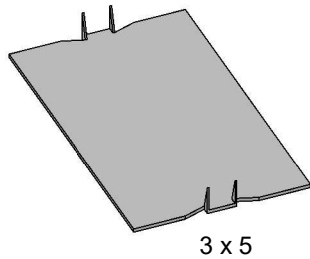
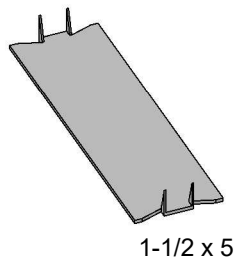


- 16 gauge construction
- Available in 18", 24", and 48" lengths
- Available in 1-1/2" or 3" widths



507 County Road E West
Shoreview, MN 55126
(651) 621-8808

STUD GUARDS

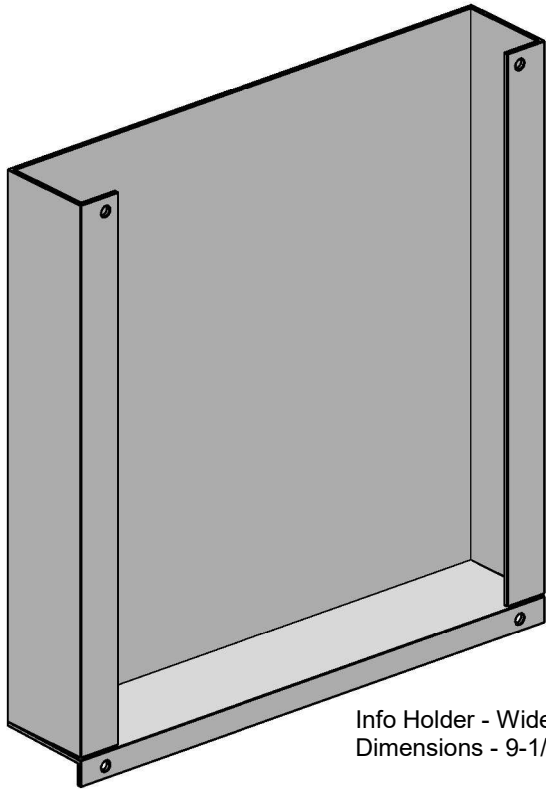


- 16 ga construction
- Self-nailing
- Protects pipes

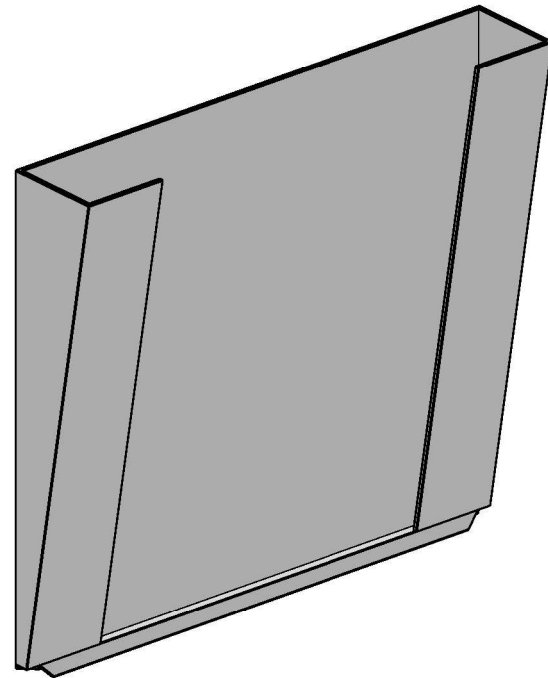


507 County Road E West
Shoreview, MN 55126
(651) 621-8808

INFO HOLDER



Info Holder - Wide
Dimensions - 9-1/2" x 9"



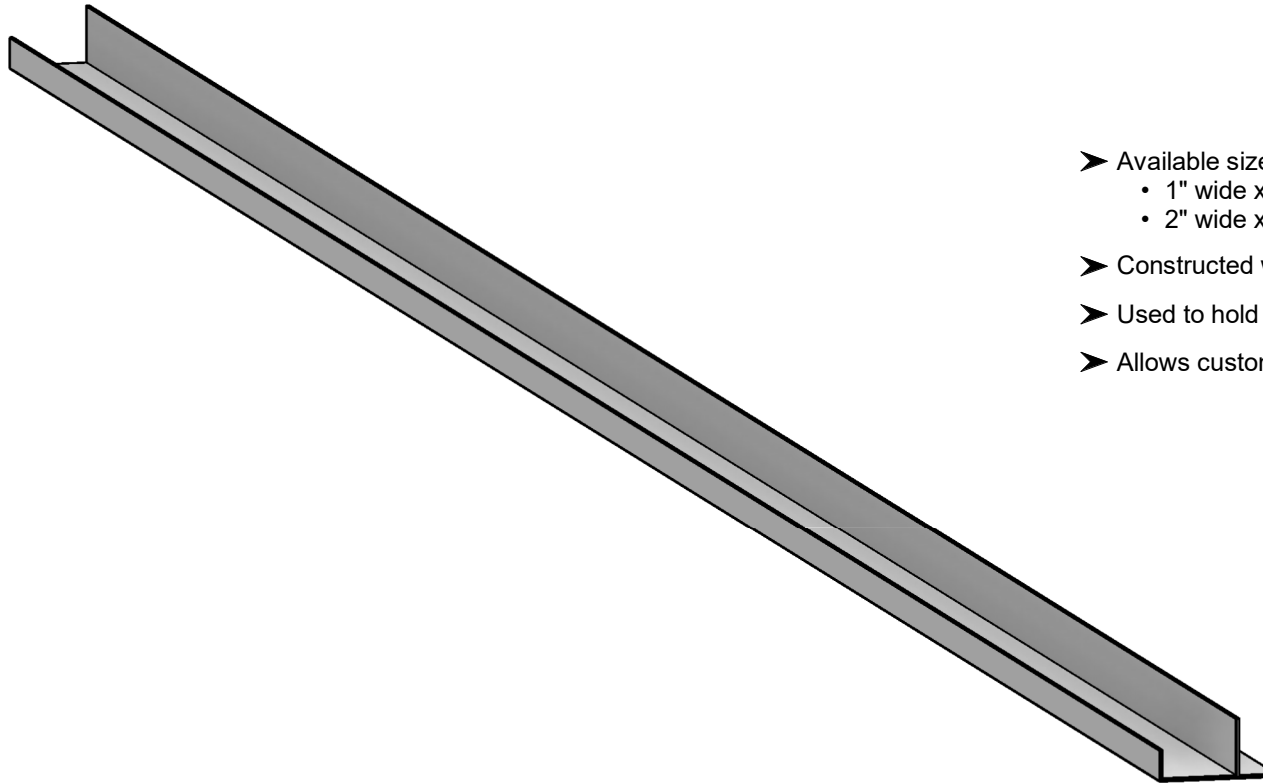
Info Holder - Original
Dimensions - 8-1/2" x 9"

- Mounts on return duct
- Provides space to store owner's manuals
- Convenient for placing contractor's contact info



507 County Road E West
Shoreview, MN 55126
(651) 621-8808

FILTER CHANNEL

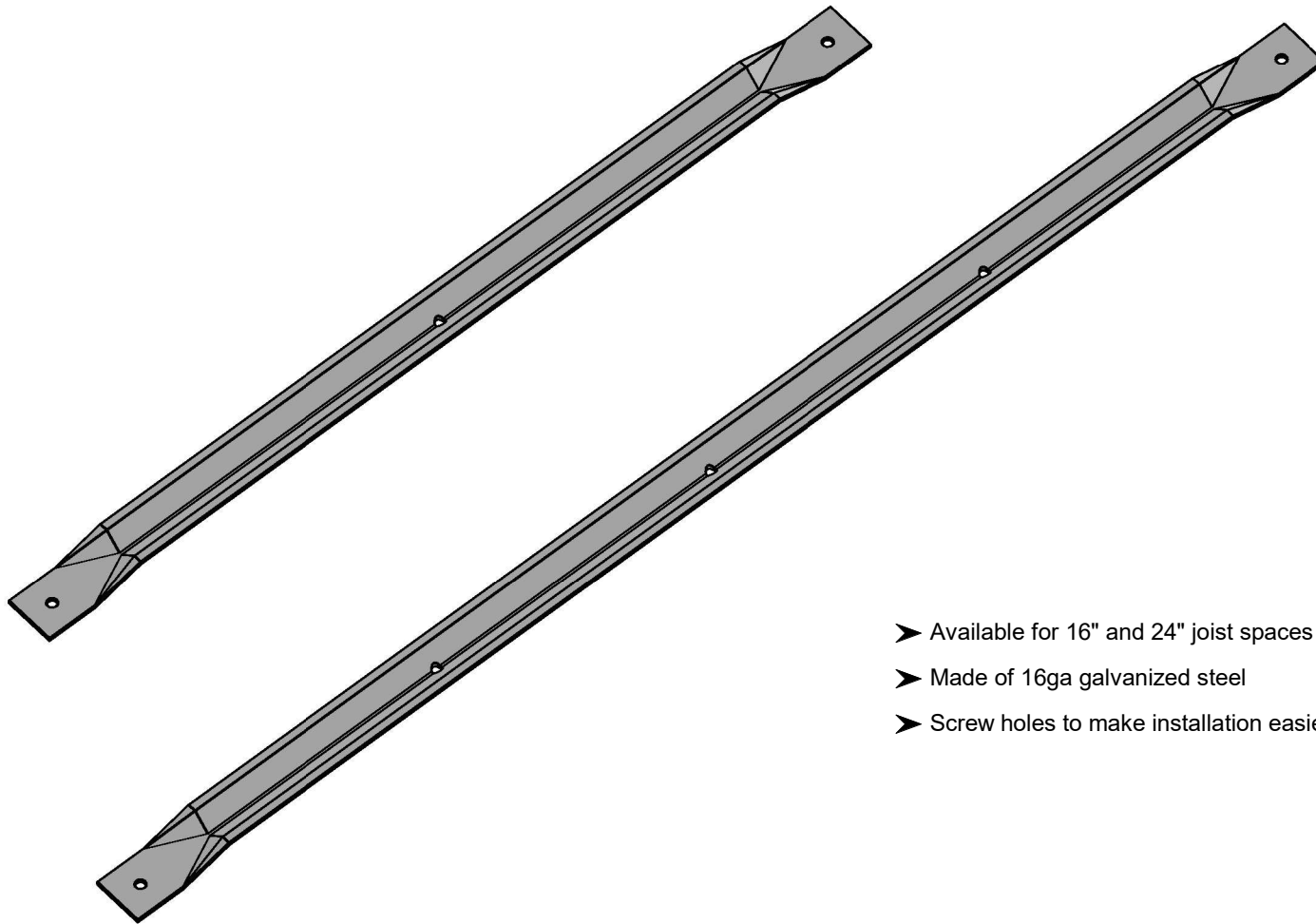


- Available sizes:
 - 1" wide x 10' long
 - 2" wide x 10' long
- Constructed with heavy gauge galvanized steel
- Used to hold 1" or 2" filter in place
- Allows customization of filter placement



507 County Road E West
Shoreview, MN 55126
(651) 621-8808

PIPE HANGER

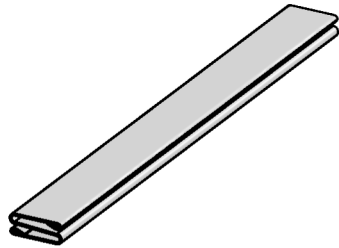


- Available for 16" and 24" joist spaces
- Made of 16ga galvanized steel
- Screw holes to make installation easier

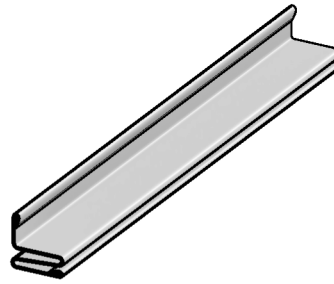


507 County Road E West
Shoreview, MN 55126
(651) 621-8808

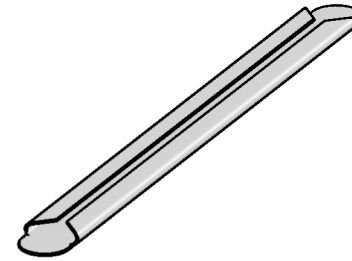
SLIPS & DRIVES



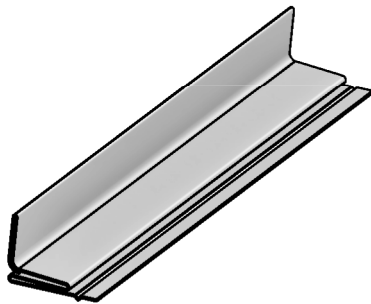
RESIDENTIAL FLAT SLIP



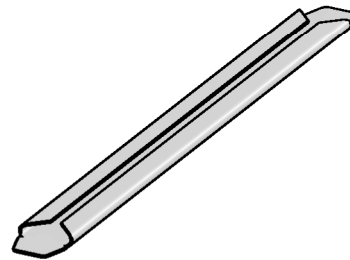
RESIDENTIAL STANDING SLIP



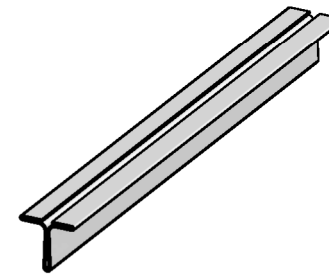
RESIDENTIAL DRIVE



COMMERCIAL 1" STANDING SLIP



COMMERCIAL FLAT DRIVE



COMMERCIAL 1" STANDING DRIVE



507 County Road E West
Shoreview, MN 55126
(651) 621-8808

SPIRAL PIPE & FITTINGS



Spiral Pipe

- Meets SMACNA standards
- 4"-18" 26 gauge
- 20"-26" 24 gauge
- 28"-36" 22 gauge
- Standard 10' lengths (custom lengths available)



Fittings

- End Caps
- Reducers
- Connectors
- Swedge Saddles
- Register Heads (inside or outside tap)
- Elbows (single or double crimp)
- EZ-Tap Collars (conical and straight; with or without damper)
- And more



507 County Road E West
Shoreview, MN 55126
(651) 621-8808

SPIRAL PIPE & GASKETED FITTINGS



Spiral Pipe

- Meets SMACNA standards
- 4"-18" 26 gauge
- 20"-26" 24 gauge
- 28"-36" 22 gauge
- Standard 10' lengths (custom lengths available)



Gasketed Fittings

- 1 Piece Spun Reducers
- Pipe Couplings
- EZ Taps (with or without damper)
- 90 Degree Saddle Taps (with damper)
- End Caps
- Other fittings also available



507 County Road E West
Shoreview, MN 55126
(651) 621-8808

TDC DUCT & FITTINGS



DUCT



FITTINGS



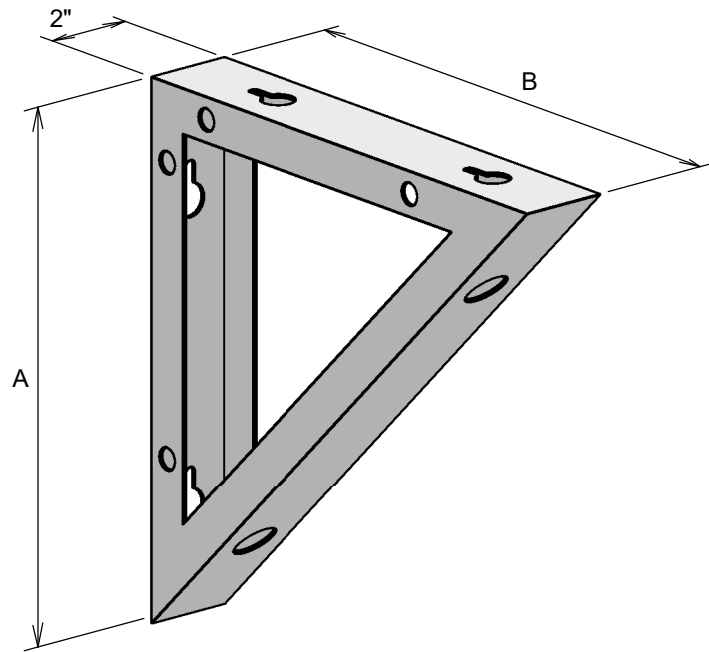
Utilizing Duro Dyne's EZ Connector System

- Bolt together duct and fittings
- Built to SMACNA standards
- Custom sizes and fittings available
- TDC flange & components reduce installation time & costs



507 County Road E West
Shoreview, MN 55126
(651) 621-8808

UTILITY BRACKET

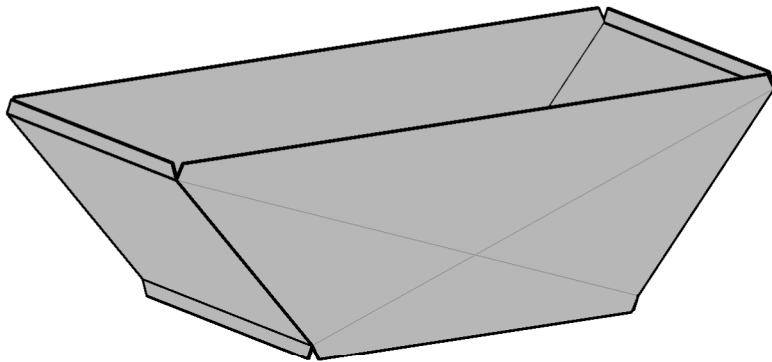


Dimension A	Dimension B	Gauge
12"	12"	24ga
14"	14"	24ga
16"	16"	22ga
18"	18"	22ga
20"	20"	20ga
24"	24"	18ga



507 County Road E West
Shoreview, MN 55126
(651) 621-8808

ZONE PLENUM TRANSITION



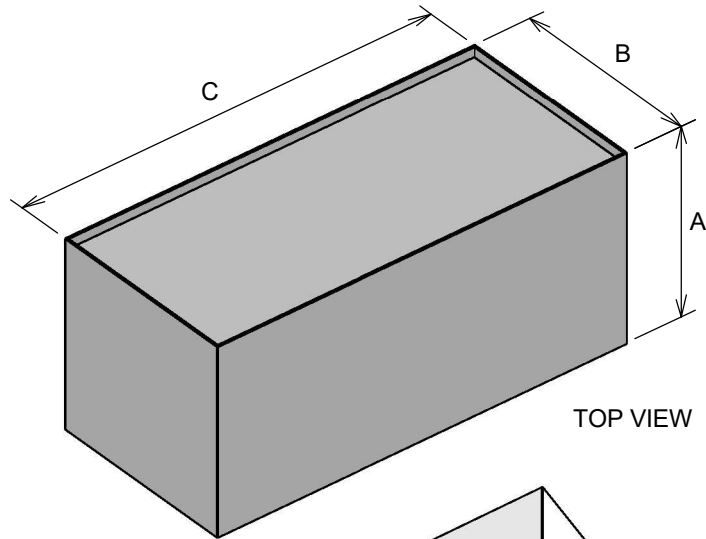
ZONE PLENUM TRANSITION

- For use with 2 Zone and 3 Zone Plenums
- Available for 17-1/2", 21", and 24" Furnaces
- 9" tall

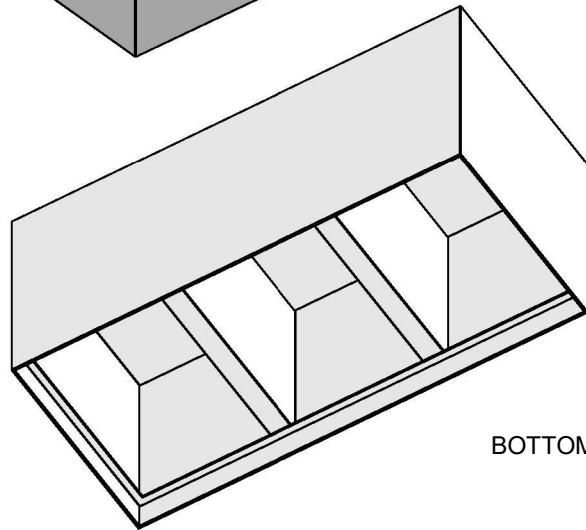


507 County Road E West
Shoreview, MN 55126
(651) 621-8808

ZONE PLENUM



TOP VIEW



BOTTOM VIEW

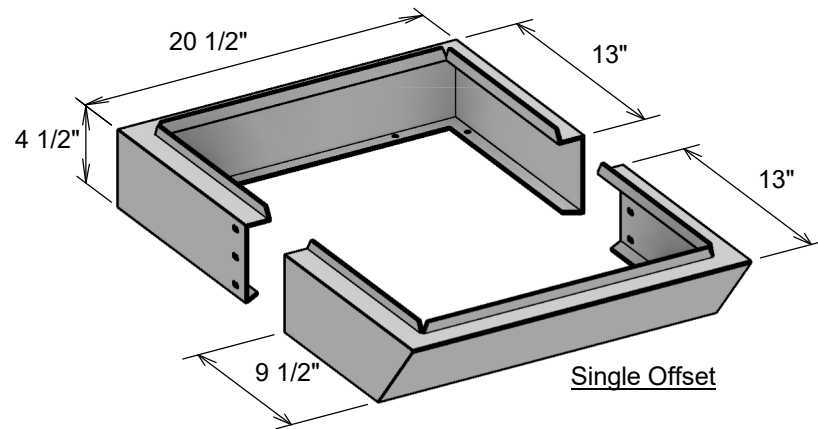
	Dimension A (Height)	Dimension B (Width)	Dimension C (Length)
2 Zone	19.5"	20"	29"
3 Zone	19.5"	20"	44"
4 Zone	19.5"	20"	59"

- For residential and commercial applications
- Constructed with heavy gauge galvanized steel
- Designed to fit 20x14 zone dampers (not included)
- Standard transitions available to fit manufacturers' A, B, C, D cabinet widths
- Labor saving dimple pattern for damper and duct placement

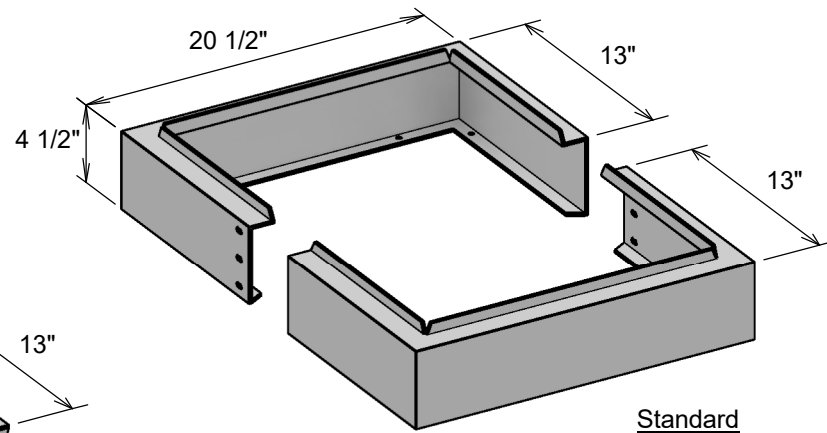
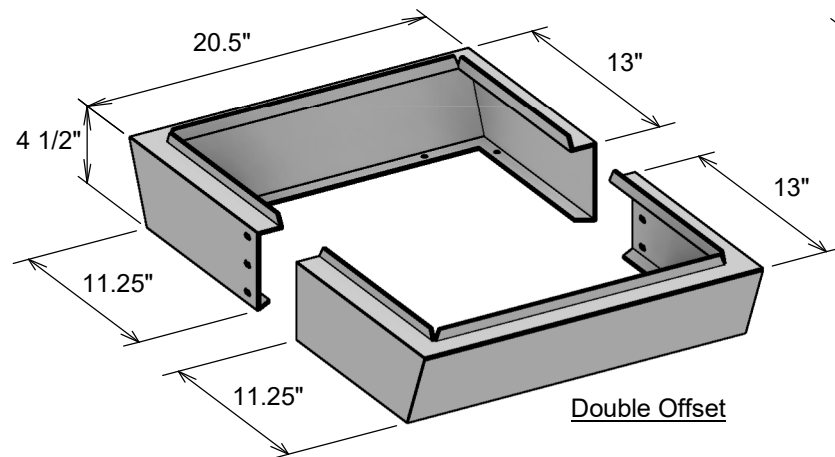


507 County Road E West
Shoreview, MN 55126
(651) 621-8808

TELESCOPING COIL ADAPTERS



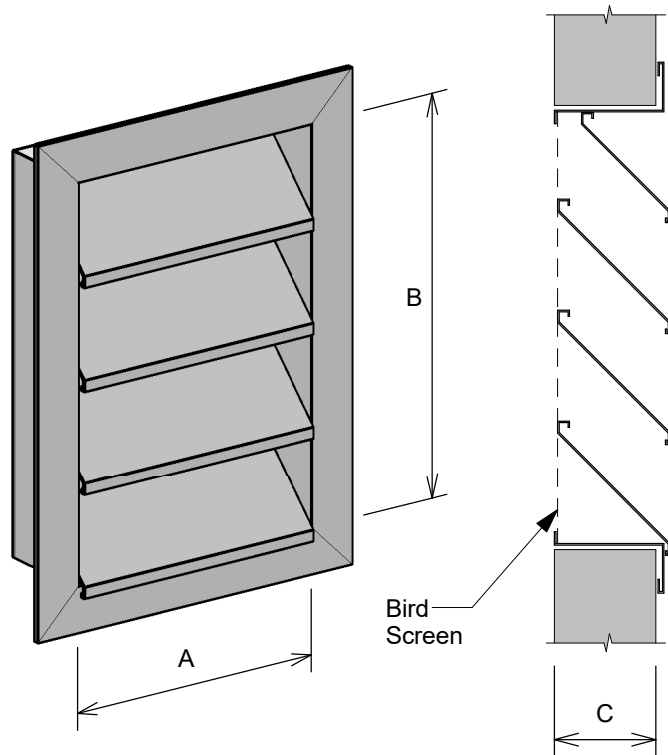
- Adapters are 2 piece adjustable to fit A, B, C and D cabinet widths
- Constructed from heavy gauge galvanized steel





507 County Road E West
Shoreview, MN 55126
(651) 621-8808

LOUVER



- Standard 4" depth (dimension C)
- Standard 2" flange
- Custom sizes and designs available
- Available in colors

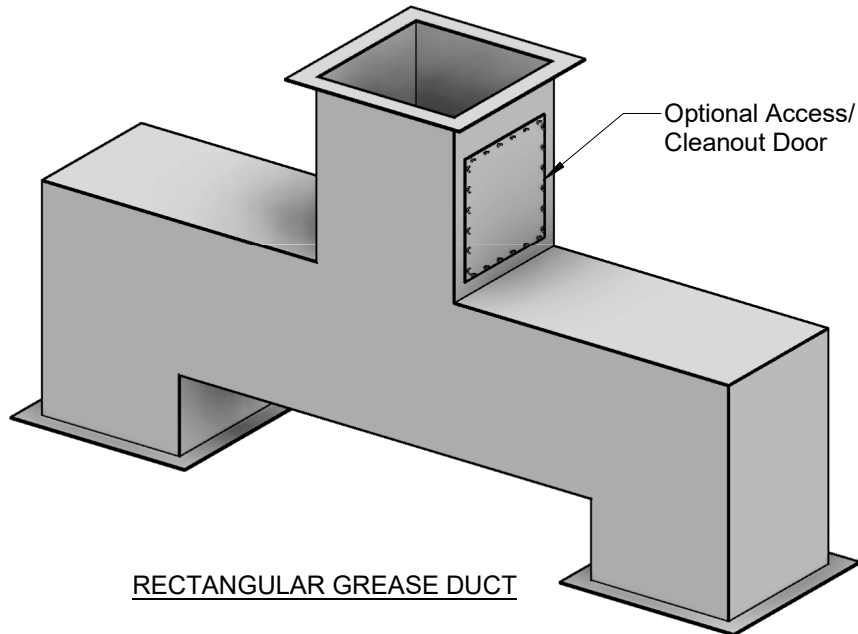
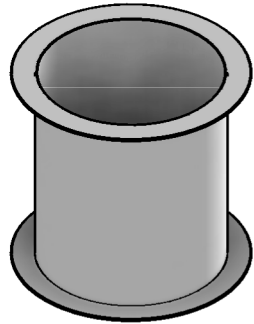
QTY	DIM A	DIM B	DIM C



507 County Road E West
Shoreview, MN 55126
(651) 621-8808

GREASE DUCTS

ROUND GREASE DUCT



Optional Access/
Cleanout Door

RECTANGULAR GREASE DUCT

- 16 ga black iron (galvanized available)
- All-welded construction
- Custom sizes and designs available
- Welded in access doors available
- Light tested
- Air or water testing available upon request
- Customer supplied drawings requested

Access/ Cleanout Door

- Meets SMANCA standards
- Sold individually or welded on grease duct

Size	Opening Size
9 x 15	6 x 12
15 x 15	12 x 12
21 x 15	12 x 18
18 x 18	15 x 15



507 County Road E West
Shoreview, MN 55126
(651) 621-8808

CUSTOM FITTINGS

ELEVATION SYMBOLS

TU = TOP UP
TD = TOP DOWN
TF = TOP FLAT
C = CENTERLINE

BU = BOT UP
BD = BOT DOWN
BF = BOT FLAT

↑ SLOPE IN DIRECTION OF ARROW
ELEV

